

# RXD-M51/M51MD

## SERVICE MANUAL

(HM-531/581MD)

© 1998-9/B51-5477-00 (K/K) 2138

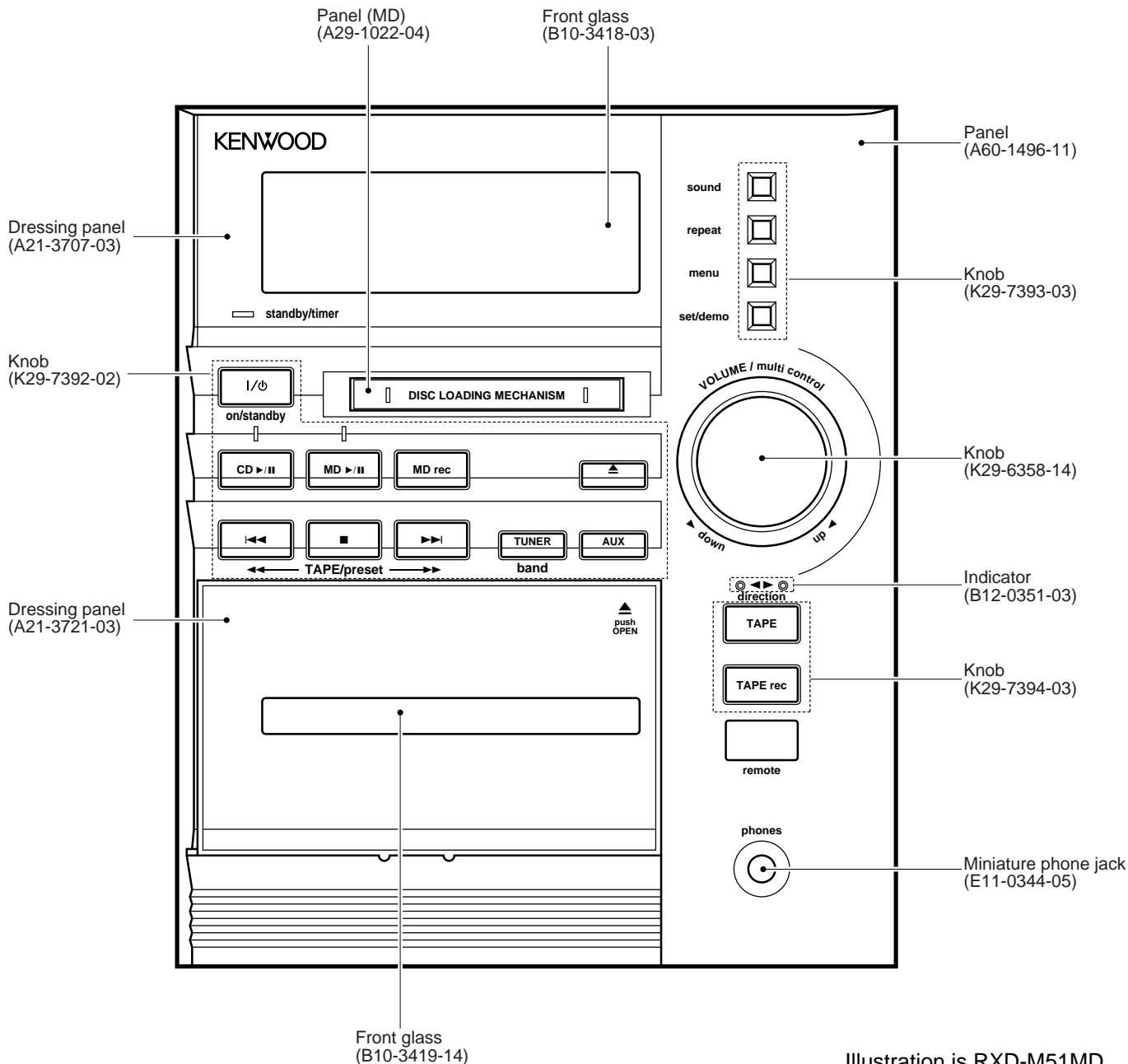


Illustration is RXD-M51MD.

\* Refer to parts list on page 49.

- Refer to DM-3090 service manual(B51-5396-00), if require the following items in detail.
- 1) MD mechanism(MDM-98A) disassembly for repair (page5,6)
- 2) Semiconductor description
  - IC1101:RF signal control(page9)
  - IC1201:ENDEC/ATRAC(page10,11)
  - IC1401:system microcomputer(page 12,13)

**Caution** : No connection of ground line if disassemble the unit.  
Please connect the ground line on rear panel, PCBs, Chassis and some others.

KENWOOD-Crop. certifies this equipment conforms to DHHS Regulations No. 21 DFR 1040. 10, Chapter 1, Subchapter J.

**DANGER** : Laser radiation when open and interlock defeated.  
**AVOID DIRECT EXPOSURE TO BEAM**

# RXD-M51/M51MD

## CONTENTS / ACCESSORIES / CAUTION

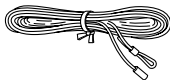

### Contents

CONTENTS / ACCESSORIES / CAUTION .....	2	PC BOARD .....	13
EXTERNAL VIEW/DISASSEMBLY FOR REPAIR.....	3	SCHEMATIC DIAGRAM .....	23
BLOCK DIAGRAM .....	4	EXPLODED VIEW .....	45
CIRCUIT DESCRIPTION .....	5	PARTS LIST.....	49
ADJUSTMENT .....	11	SPECIFICATIONS .....	59
WIRING DIAGRAM .....	12		


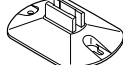
### Accessories

Please confirm that the following accessories are present.

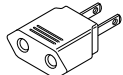
FM indoor antenna (1) -----

Europe U.K. and Russia (T90-0810-05): TE	Other countries (T90-0801-05): M
	

Loop antenna (1) (T90-0833-05)-----

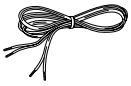
	AM loop antenna stand (1) (J19-3645-05))
	

AC plug adapter (1)  
(E03-0115-05)

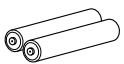


Use to adapt the plug on the power cord to the shape of the wall outlet. (Accessory only for regions where use is necessary.)

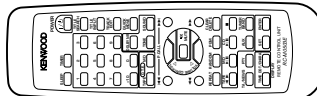
Speaker cords (2)  
(E30-5500-05)



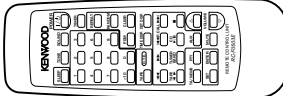
Batteries (R6/AA) (2)



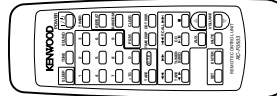
Remote control unit (1)  
(A70-1236-05) : RC-M0503E



Remote control unit (1)  
(A70-1242-05) : RC-F0503E



Remote control unit (1)  
(A70-1241-05) : RC-F0503



### System configuration

SYSTEM	MAIN UNIT	DESTINATION	SPEAKER	SP CORD PARTS.NO.
HM-581MD	RXD-M51MD	E1T1	LS-M61	E30-5500-05
HM-531	RXD-M51	M1E2T2	LS-M51	E30-5500-05

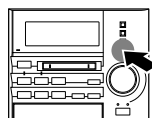
### Caution

#### Operation to reset

The microcomputer may fall into malfunction (impossibility to operate, erroneous display, etc.) when the power cord is unplugged while unit is ON or due to an external factor. In this case, execute the following procedure to reset the microcomputer and return it to normal condition.

- Please note that resetting the microcomputer clears the contents stored in and it returns to condition when it left the factory.

Unplug the power cord from the power outlet then, while holding the "set/demo" key depressed, plug the power cord again.



# RXD-M51/M51MD

## EXTERNAL VIEW / DISASSEMBLY FOR REPAIR

### EXTERNAL VIEW

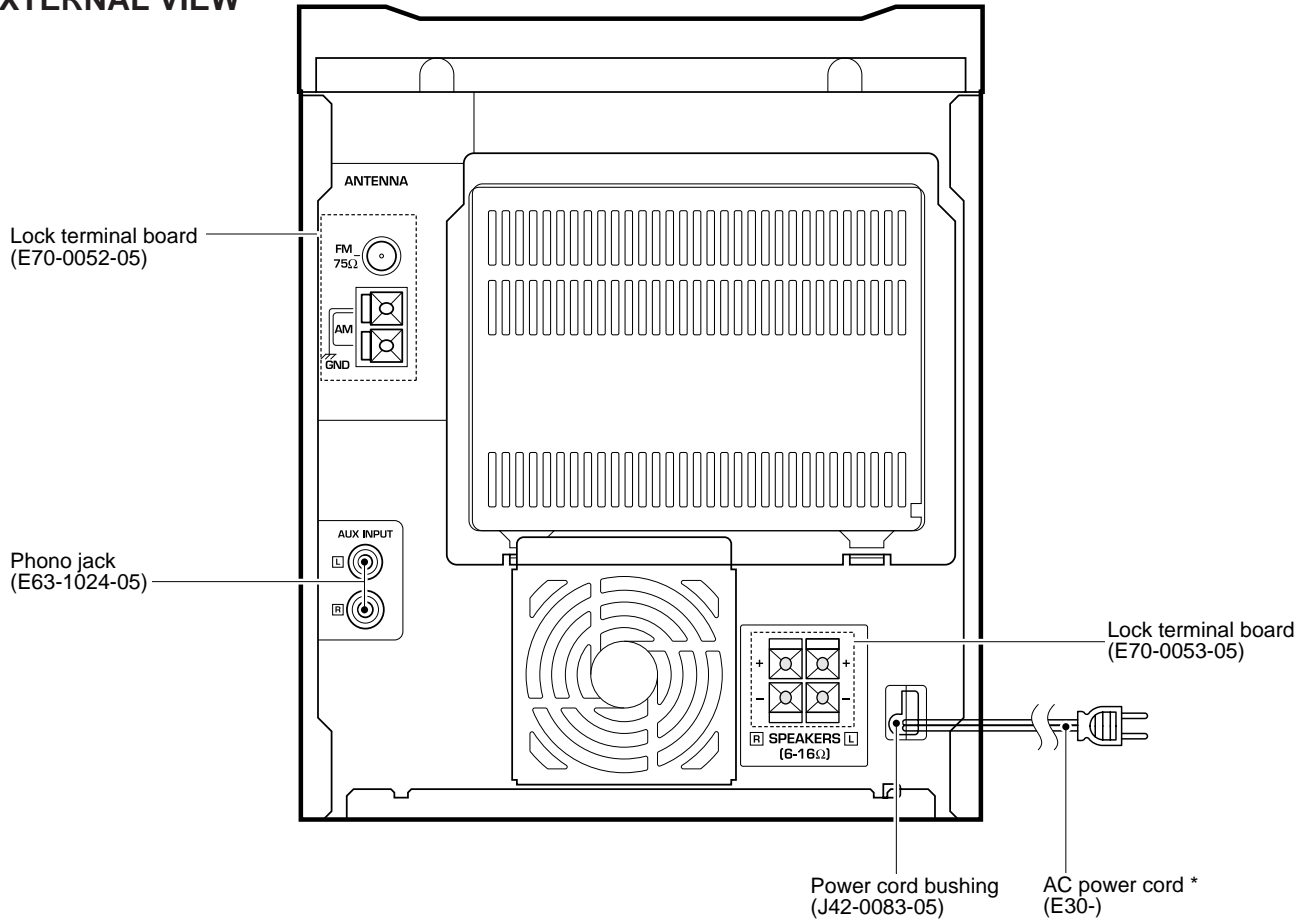
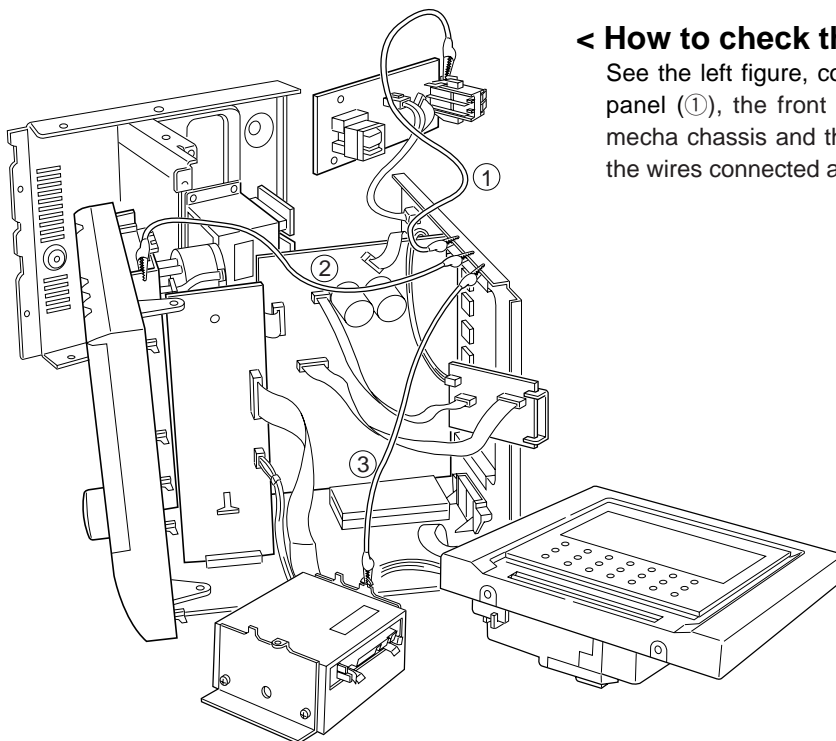


Illustration is RXD-M51MD.

\* Refer to parts list on page 49.

### DISASSEMBLY FOR REPAIR

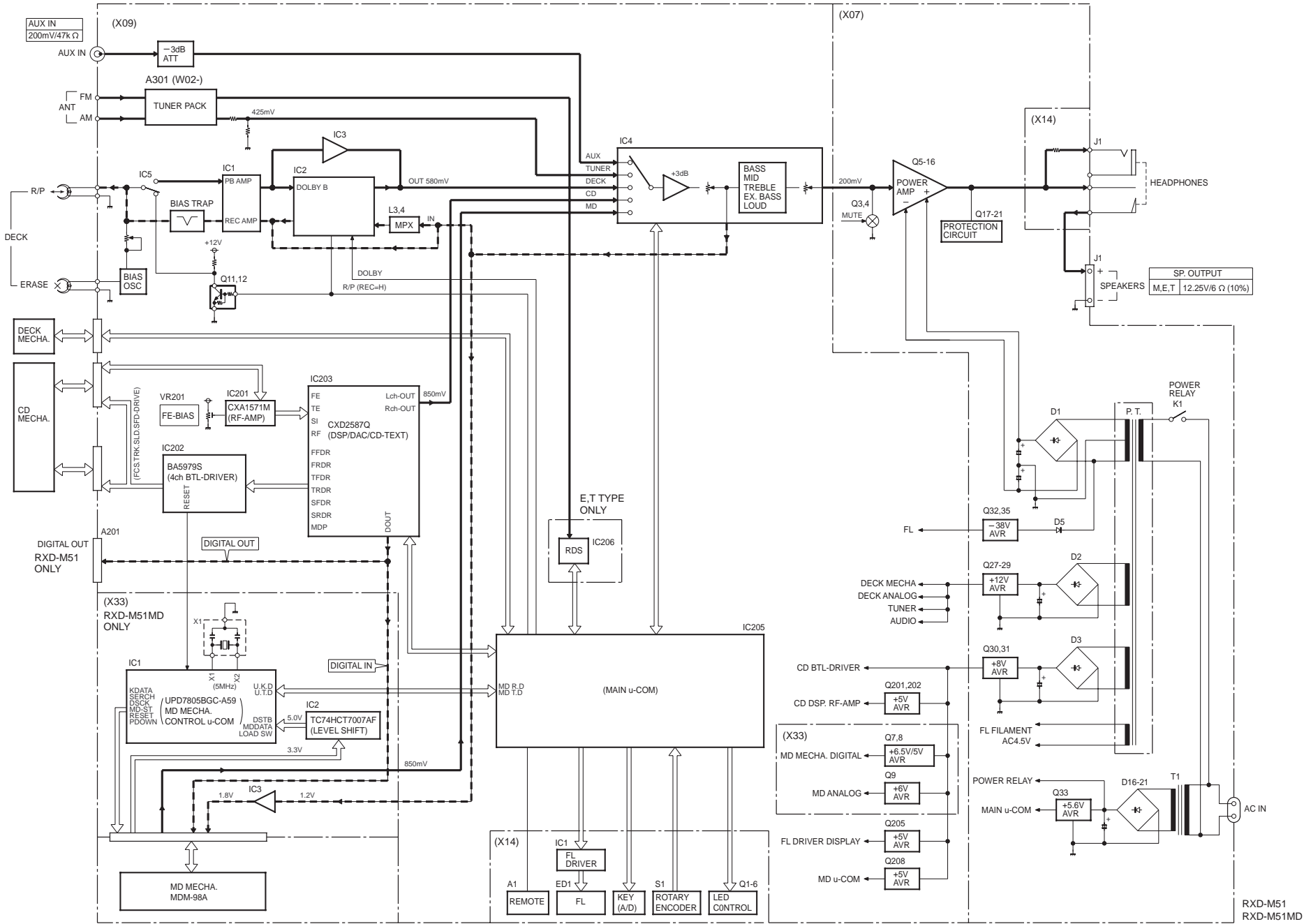


#### < How to check the PCB >

See the left figure, connect the SP terminal GND and the rear panel (①), the front panel GND and the rear panel (②), MD mecha chassis and the rear panel (③) (except RXD-M51) with the wires connected alligator clips.

# RXD-M51/M51MD

## BLOCK DIAGRAM



## 1. Initialization

### 1-1 Setting of initial conditions

While pressing the [SET] key, plug the AC power cord into an AC power outlet.

### 1-2 Initializing operation

- A microcomputer is initialized for start when the AC power is turned on while pressing the [SET] key. At that time, CD mechanism, MD mechanism and CASSETTE mechanism are also initialized.
- During the initial operation, the display shows "INITIALIZE" and after that the clock blinks up on display.

### 1-3 Initial items and back up data

ITEMS		
AMP	※POWER	OFF
	※VOLUME	15
	※BALANCE	CENTER
	LOUDNESS	OFF
	EX. BASS	ON
	※INPUT SEL	TUNER
TUNER	※AUX INPUT	0 (-6dB)
	※BASS	0
	※TREBLE	0
	※BAND	FM
	※LAST f	LIMIT
	※LAST Pch	---
CLOCK TIMER	※AUTO/MONO	AUTO
	※Pch	TEST f
	CLOCK	AM 12 : 00
	※PROG ON	AM 12 : 00
	※PROG OFF	AM 12 : 00
	※PRO MODE	PLAY
CD	※SOURCE	TUNER
	※Pch	1
	※EXE	OFF
	※OTT	OFF
	SLEEP	OFF
	PLAY MODE	TRACK
DECK	REPEAT	OFF
	RANDOM	OFF
	PLAY MODE	STOP
	TIME	SINGLE
	※DIRECTION	FORWARD
	※RVS MODE	↷
※DOLBY NR	OFF	
OPERATION MODE	STOP	

※back up data

## 1-4 Mechanism initialization

### 1-4-1 CD mechanism

- If a mechanism error occurs, "C" is indicated on the display.

### 1-4-2 MD mechanism

- The MD ON code is input within 4 seconds after turned the power port on, the MD initial code (D122H) is output.
- If the MD on code is not input, the error indication is displayed as "M" on the display.

### 1-4-3 CASSETTE mechanism

- If a mechanism error occurs, "X" is indicated on the display.

## 2. TUNER preset frequency

ch	Destination		
	K2	E2	E1/H
1	FM 97.50MHz	FM 97.50MHz	FM 97.50MHz
2	FM 108.00MHz	FM 108.00MHz	FM 108.00MHz
3	AM 630kHz	AM 630kHz	AM 630kHz
4	AM 1000kHz	AM 999kHz	AM 999kHz
5	AM 1440kHz	AM 1440kHz	AM 1440kHz
6	AM 1610kHz	AM 1602kHz	AM 1602kHz
7	FM 87.50MHz	FM 87.50MHz	FM 87.50MHz
8	FM 87.50MHz	FM 87.50MHz	FM 87.50MHz
9	FM 87.50MHz	FM 87.50MHz	FM 87.50MHz
10	FM 89.10MHz	FM 89.10MHz	FM 89.10MHz
11	FM 87.50MHz	FM 87.50MHz	FM 87.50MHz
12	FM 90.00MHz	FM 90.00MHz	FM 90.00MHz
13	FM 106.00MHz	FM 106.00MHz	FM 106.00MHz
14	AM 530kHz	AM 531kHz	AM 531kHz
15	FM 87.50MHz	FM 87.50MHz	FM 87.50MHz
16	FM 98.00MHz	FM 98.00MHz	FM 98.00MHz
17	FM 98.50MHz	FM 98.50MHz	FM 98.50MHz
18	FM 87.50MHz	FM 87.50MHz	FM 87.50MHz
19	AM 990kHz	AM 990kHz	AM 990kHz
20	FM 97.40MHz	FM 97.40MHz	FM 97.40MHz
21	FM 87.50MHz	FM 87.50MHz	FM 87.50MHz
22	FM 87.50MHz	FM 87.50MHz	FM 87.50MHz
23	FM 87.50MHz	FM 87.50MHz	FM 87.50MHz
24	FM 87.50MHz	FM 87.50MHz	FM 87.50MHz
25	FM 87.50MHz	FM 87.50MHz	FM 87.50MHz
26	FM 87.50MHz	FM 87.50MHz	FM 87.50MHz
27	FM 87.50MHz	FM 87.50MHz	FM 87.50MHz
28	FM 87.50MHz	FM 87.50MHz	FM 87.50MHz
29	FM 87.50MHz	FM 87.50MHz	FM 87.50MHz
30	FM 87.50MHz	FM 87.50MHz	FM 87.50MHz
31	FM 87.50MHz	FM 87.50MHz	FM 87.50MHz
32	FM 87.50MHz	FM 87.50MHz	FM 87.50MHz
33	FM 87.50MHz	FM 87.50MHz	FM 87.50MHz
34	FM 87.50MHz	FM 87.50MHz	FML 87.50MHz
35	FM 87.50MHz	FM 87.50MHz	FML 87.50MHz
36	FM 87.50MHz	FM 87.50MHz	FML 87.50MHz
37	FM 87.50MHz	FM 87.50MHz	FML 87.50MHz
38	FM 87.50MHz	FM 87.50MHz	FML 74.00MHz
39	FM 87.50MHz	FM 87.50MHz	FML 65.00MHz
40	FM 87.50MHz	FM 87.50MHz	FML 69.00MHz

## 3. Destination list of TUNER

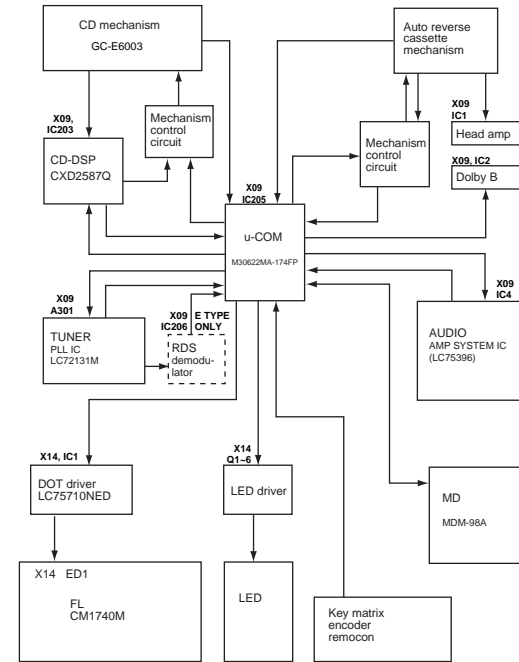
(DSW4=50pin, DSW3=49pin, DSW2=48pin)

Destination	U-COM Destination	Discrimination			Band	Receiving frequency range	Channel space	IF	RF	PORT 92
		DSW4	DSW3	DSW2						
K, P	K1	0	0	0	FM	87.5MHz~108.0MHz	100kHz	+10.7MHz	25kHz	0
					AM	530kHz~1700kHz	10kHz	+450kHz	10kHz	0
M, Y	K2	0	1	1	FM	87.5MHz~108.0MHz	100kHz	+10.7MHz	25kHz	1
					AM	530kHz~1610kHz	10kHz	+450kHz	10kHz	0
J	J	0	0		FM	76.0MHz~108.0MHz	100kHz	-10.7MHz	25kHz	0
					AM	531kHz~1629kHz	9kHz	+450kHz	9kHz	0
Q	Q RDS	1	0		FML	87.5MHz~108.0MHz	50kHz	+10.7MHz	10kHz	0
					FML	65.0MHz~74.0MHz	10kHz	+10.7MHz	10kHz	0
E, T	E1 RDS	1	1	0	AM	531kHz~1602kHz	9kHz	+450kHz	9kHz	0
					AM	87.5MHz~108.0MHz	50kHz	+10.7MHz	25kHz	0
					AM	531kHz~1602kHz	9kHz	+450kHz	9kHz	0

0=(input low) 1=(input high)

## 4. Main microprocessor M30622MA-174FP (X09 : IC205)

### 4-1 Microprocessor periphery block diagram



### 4-2 Key matrix

Vref = 5V ( ) of KEY : RXD-M51

VOLTAGE [V]	0.357 <	1.061 <	1.726 <	2.437 <	3.156 <	3.827 <	4.586 <
A/D (hex)	12h <	36h <	58h <	7Ch <	A1h <	C3h <	EAh <
KEY1 89PIN	SOUND	REPEAT	MODE	SET	POWER	-	KEY OFF
KEY2 90PIN	STOP ■	S. DOWN ►►	CD ►/	MD ►/   (TUNER)	MD ● (AUX)	-	KEY OFF
KEY3 91PIN	S. UP ►►	EJECT ▲ (TAPE. EQ)	TUNER (◄◄)	AUX (►►)	TAPE ●	TAPE ●	KEY OFF

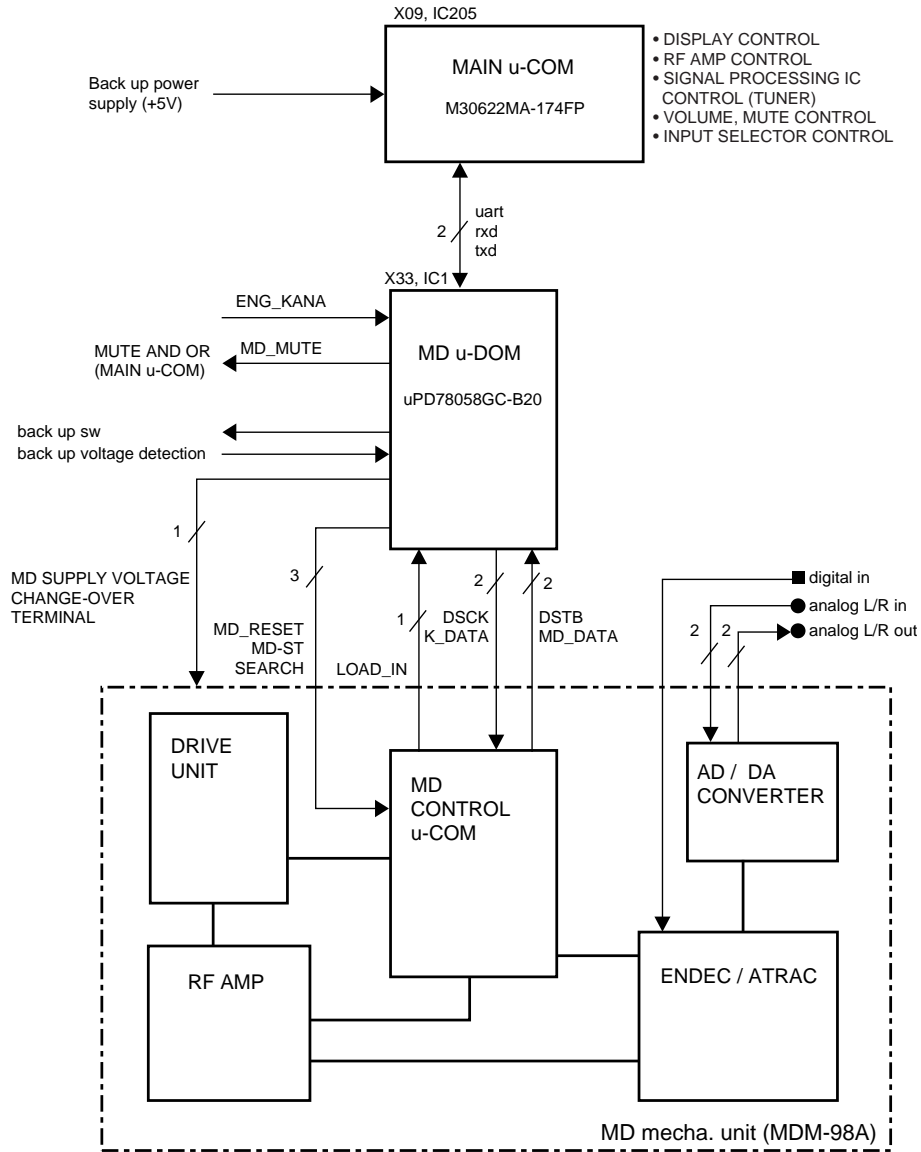
## 4-3 Pin description of main microprocessor: M30622MA-159FP

Pin No.	Name	I/O	Description
1	CE	O	SYSTEM IC(LC75396)/PLL IC(LC72131) CE
2	PLL DO	I	PLL DATA INPUT
3	SD	I	TUNER SD DETECT INPUT H : NO TUNED L : TUNED
4	STEREO	I	TUNER STEREO DETECT INPUT H : MONO L : STEREO
5	EMPHASIS	O	TUNER EMPHASIS CHANGEOVER H : FM100kHz L : AM&50kHz
6	RDS DATA	I	RDS DATA INPUT H : 1 L : 0
7	CE	I	AC OFF DETECT INPUT H : AC ON L : AC OFF
8	BYTE	I	CONNECT GND
9	CNVSS	I	CONNECT GND
10	XCIN	I	TIMMER CLOCK(32.768kHz)
11	XCOU	O	TIMMER CLOCK(32.768kHz)
12	RESET	I	U-COM RESET H : NORMAL L : RESET
13	XOUT	O	MAIN CLOCK
14	VSS	-	GND
15	XIN	I	MAIN CLOCK
16	VCC	-	5V POWER SUPPLY
17	NMI	I	CONNECT 5V
18	REMOCON	I	REMOCON INPUT INTERRUPT BY H →L
19	RDX CLK	I	RDS CLK INPUT INTERRUPT BY L→H
20	SCOR	I	SUB CODE SYNCHRO SIGNAL INTERRUPT BY H →L (CXD2587Q)
21	CD DC OFF	O	CD DSP POWER SUPPLY CONTROL H : OFF L : ON
22	SCLK	O	CD SENSE DATD READ OUT CLOCK (CXD2587Q)
23	SENSE	I	CD SENSE INPUT (CXD2587Q) H : 1 L : 0
24	CD CLK	O	CD DSP LOCK (CXD2587Q)
25	XLAT	O	CD DSP LATCH OUTPUT (CXD2587Q) L : LATCH
26	CD DATA	O	CD DSP DATA OUTPUT (CXD2587Q) H : 1 L : 0
27	CD RST	O	CD DSP RESET OUTPUT (CXD2587Q) H : NORMAL L : RESET
28	SQCK	O	CD SUB CODE CLOCK (CXD2587Q)
29	SUBQ	I	CD SUB CODE INPUT (CXD2587Q)
30	NC	O	NO USED
31	FL DATA	O	FL DRIVER DATA OUTPUT (LC75710NE)
32	NC	O	NO USED
33	FL CLK	O	FL DRIVER CLOCK (LC75710NE)
34	CD MUTE	I	CD MUTE INPUT (CXD2587Q)
35	MD TXD	O	TRANSMISSION DATA OUTPUT TO MD (UART)
36	MD RXD	I	DATA INPUT FROM MD (UART)
37	LCD	O	CD LASER OUTPUT CONTROL H : OFF L : ON
38	NC	O	NO USED
39	MD RST	O	MD RESET OUTPUT H : NORMAL L : RESET
40	CD MON	O	CD MON OUTPUT H : ON L : OFF
41	NC	O	NO USED
42	MDP SHORT	O	SAME CD POWER SIGNAL H : OFF L : ON
43	DOOR OPEN	I	CD DOOR SWITCH INPUT H : OPEN L : CLOSE
44,45	NC	O	NO USED
46	DSW0	I	DESTINATION DISTINCTION (MODEL) H : RXD-M51 L : RXD-M51MD
47	DSW1	I	DESTINATION DISTINCTION (DOLBY) H : NO DOLBY L : DOLBY NR
48-50	DSW2-DSW4	I	DESTINATION DISTINCTION (TUNER)
51	FL RST	O	FL DRIVER RESET OUTPUT (LC75710NE) H : NORMAL L : RESET

Pin No.	Name	I/O	Description
52	MD CE	O	MD CE CONTROL L : CE
53	ENC1	I	ROTARY ENCODER1 (VOL. INPUT A)
54	ENC2	I	ROTARY ENCODER2 (VOL. INPUT B)
55	LED5	O	LED OUTPUT D2 SELECTOR MD /TUNER H : ON L : OFF
56	LED4	O	LED OUTPUT D1 SELECTOR CD H : ON L : OFF
57	LED3	O	LED OUTPUT D5(RED) TIMER H : OFF L : ON
58	LED2	O	LED OUTPUT D5(GRN) STANDBY H : OFF L : ON
59	LED1	O	LED OUTPUT D3 TAPE DIRECTION(FWD) H : ON L : OFF
60	LED0	O	LED OUTPUT D4 TAPE DIRECTION(RVS) H : ON L : OFF
61	FL CE	O	FL DRIVER CE OUTPUT (LC75710NE)
62	VCC	-	POWER SUPPLY
63	NC	O	NO USED
64	VSS	-	GND
65	A/B-2	O	DECK ACTIVITY CHOICE MODE (HA12219NT)
			65 H H REC
66	A/B-1	O	DECK ACTIVITY CHOICE MODE (HA12219NT)
			H L REC PAUSE,ARM
			L L PLAY
67	CPM	O	DECK MOTOR CONTROL H : ON L : OFF
68	SOL	O	DECK SOLENOID CONTROL H : ON L : OFF
69	REC F SW	I	DECK FEW REC SW INPUT H : OFF L : ON
70	REC R SW	I	DECK RVS REC SW INPUT H : OFF L : ON
71	PACK SW	I	DECK PACK SW INPUT H : OFF L : ON
72	CrO2 SW	I	DECK CrO2 DETECT SW INPUT H : CrO2 L : NORMAL
73	PLAY SW	I	DECK PLAY SW INPUT H : OFF L : ON
74	B1/2	O	DECK ACTIVITY CHOICE MODE (HA12219NT) H : B2 L : B1
75	A120/70	O	DECK ACTIVITY CHOICE MODE (HA12219NT) H : 70U L : 120U
76	BIAS	O	DECK BIAS CONTROL H : ON L : OFF
77	NOR	O	DECK NORMAL (HA12219NT) H : NORMAL L : CrO2
78	REC/PLAY	O	DECK REC/PLAY CHANGEOVER H : REC L : PLAY
79	DOLBY/NR	O	DECK DOLBY CONTROL H : ON L : OFF
80	CLK	O	CLOCK OUTPUT TO SYSTEM IC/PLL IC
81	MD PROTECT	I	MD PROTECTION L : PROTECT
82	FAN HI/L	O	FAN SPEED CONTROL H : LOW L : HI
83	FAN ON/OFF	O	FAN ON/OFF CONTROL H : OFF L : ON
84	A MUTE	O	AUDIO MUTE CONTROL H : OFF L : ON
85	CD A MUTE	O	CD ANALOG MUTE CONTROL H : ON L : OFF
86	TUNER MUTE	O	TUNER MUTE CONTROL H : ON L : OFF
87	POWER	O	POWER RELAY CONTROL H : ON L : OFF
88	PROTECT	I	PROTECTION DETECT H : PROTECT
89-91	KEY1-KEY3	I	KEY A/D INPUT1-3
92,93	AD PROTECT2,1	I	PROTECTION DETECT INPUT2,1 0.5V : PROTECT
94	MECHA MUTE	O	DECK MECHA MUTE OUTPUT H : ON L : OFF
95	RDS SLEVEL	I	RDS S-LEVEL INPUT (E,T type)
96	AVSS	-	GND
97	PHOTO	I	DECK ROTARY DETECT INPUT
98	VREF	-	5V REFERENCE VOLTAGE ( NO BACKUP)
99	AVCC	-	5V POWER SUPPLY ( BACKUP)
100	DATA	O	DATA OUTPUT TO SYSTEM IC/PLL IC

## 5. Composition (MD section)

5-1 Microprocessor periphery block diagram



5-2 Pin description of MD u-COM: uPD78058GC-B20 (X33 :IC1)

Pin No	Name	I/O	Description
1	PDOWN	O	MDM-98A POWER DOWN DETECTOR
2	SEARCH	O	CD SEARCH OUTPUT
3	LOAD IN	I	LOAD SWITCH INPUT
4	Avss	-	A/D POWER SUPPLY (CONNECTED TO GND)
5,6	-	-	NO USED
7	Avref1	-	D/A REFERENCE VOLTAGE(+5V)
8	RXD	I	COMMUNICATION FROM MAIN u-COM (UART RXD)
9	TXD	O	COMMUNICATION TO MAIN u-COM (UART TXD)
10	-	-	NO USED
11	MD_DATA	I	MD IC IN DATA (MDM-98A IN DATA)
12	K_DATA	O	MD IC OUT DATA (MDM-98A OUT DATA)
13	DSCK	O	MD IC CK (MDM-98A CLOCK)
14	DSTB	I	MD IC STB (MDM-98A STB)
15	COMM_ANS	I	NO USED
16	COMM_DIN	I	NO USED
17	COMM_DOUT	O	NO USED
18	COMM_CLK	I/O	NO USED
19	COMM_REQ	O	NO USED
20-31	-	-	NO USED
32	6.5/5.0V	O	MD LOAD VOLTAGE CHANGE-OVER DISC LOAD/EJECT : H OTHER : L
33	Vss	-	u-COM(CONNECTED TO GND)
34-43	-	-	NO USED
44	INISW	I	INITIAL SW
45-58	-	-	NO USED
59	SRESET	O	NO USED
60	RESET	I	u-COM RESET
61	-	I	NO USED
62-66	-	-	NO USED
67	CE	I	u-COM CE
68	Vdd	-	u-COM POWER SUPPLY
69	X2	-	5MHz OSCILLATOR
70	X1	I	5MHz OSCILLATOR
71	IC	-	IC TERMINAL(CONNECTED TO GND)
72	NC	-	NO USED (OPEN)
73	GND	I	NO USED (CONNECTED TO GND)
74	Avdd	-	A/D POWER SUPPLY
75	Avref0	I	A/D REFERENCE VOLTAGE
76	BACKUP	I	BACKUP DETECTOR(A/D) BACK UP : MORE THAN2.2V NO BACKUP:LESS THAN2.2V
77	AMUTE	O	ANALOG MUTE H : MUTE ON L : MUTE OFF
78	BACKUPSW	O	BACKUP DETECTOR SW H:ON(IN CASE of CE : HIGH) L:OFF(IN CASE of CE LOW)
79	MD_RESET	O	MD u-COM RESET H : NORMAL L : MD u-COM RESET (LOW EDGE)
80	MD_ST	O	MD ON/CD SYNC H : MD ON L : BACKUP MODE

## 6. Test mode

### 6-1 Test mode of the receiver

(1) Setting of the test mode.

While pressing the [Band] key, plug the AC power cord into an AC power outlet.

(2) Canceling of the test mode.

Unplug an AC power cord.

(3) Condition in test mode.

POWER ..... ON

SELECTOR ... TUNER [BAND]

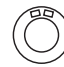
FL, LED ..... All the fluorescent display indicate and LEDs light. (The all illuminated state is cleared by pressing any main unit key or remote key.)

EX. BASS ..... OFF

(4) Basic operation in test mode.

- ① The muting during mode selection is not controlled in the test mode.
- ② The test mode is cancelled when the AC power is turned OFF.

(5) The operation of the keys in the test mode.

SECTOR OPERATION KEY	TUNER	AUX		
MENU	NORMAL ACTIVITY	┌─── DISPLAY ───┐ ┌─── DISPLAY ───┐ ┌─── DISPLAY ───┐ VOLUME INPUT BALANCE (VOLUME15) (INPUT 0) (CENTER)		
◀◀	P.CALL : DOWN	VOLUME 1	INPUT-6(dB)	L ch MAX
■	P.CALL : 10 STEP CHANGE OVER ┌── 10 → 20 → 30 → 40 → 01 ──┐	VOLUME 40	INPUT 0 (dB)	CENTER 
▶▶	P.CALL : UP	VOLUME 80	INPUT+3(dB)	Rd MAX
REPEAT	┌─── EQU.MAX ───┐ ┌─── EQU.MINI ───┐ ┌─── EQU.FLAT ───┐			
SOUND (E.T only)	S-LEVEL DISPLAY ┌── ATT OFF * * ──┐ ↓ ┌── ATT ON * * ──┐ ↓ ┌── TUNER CATT OFF ──┐ * * : S-LEVEL A/D VALUE(HEX)	NORMAL ACTIVITY		

6-2 Test mode of DECK section

- (1) Setting  
While pressing the TAPE key(DECK), plug the AC power cord into an AC power outlet.
- (2) Resetting  
Disconnect the AC power cord from an AC power outlet or press the [ON/STANDBY] key.
- (3) Operation in TEST mode

(a) Initial condition

Item	Condition
Power	ON
Selector	TAPE
Main VOL.	0dB (VOL. 80)
Input level(AUX)	-6dB(INPUT 0)
EX. bass	OFF
FL, LED, LCD	All the FLs, LEDs, and LCDs are turned on

- (b) 4-sec REC
  - If the REC key is pushed, the system record for 4sec. Then, it rewinds to the REC starting position and plays back automatically.
  - If the REC key is pushed during the 4-sec REC operation, the system records further for 4-sec, then returns to the starting position of the first 4-sec REC operation and plays back.

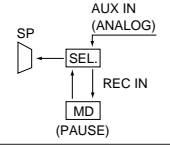
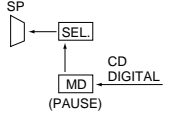
(c) Mechanism half switches indication

The mechanism half switches status are indicated "/" or "TAPE" on the display as shown below.

DOT (DISPLAY)	1st figure	2nd figure	3rd figure	4th figure
MECHA. HALF SWITCH	FWD REC INHIBIT DETECTION SW	RVS REC INHIBIT DETECTION SW	CRO2(TYPE II) DETECTION SW	CASSETTE HALF DETECTION SW
NG	/	/	/	/
OK	T	A	P	E

6-3 Test mode of MD player

6-3-1 Inspection mode  
 Setting : While pressing the [MD REC] Key, plug the AC power cord into an AC power outlet.  
 The "INSPECTION" shows on the display.  
 Cancellation : Unplug the AC power cord from an AC power outlet.

No.	Contents of TEST mode	Keys	Operation & Indication	Remarks
1	Analog through test mode	SOUND	<ul style="list-style-type: none"> <li>• The "ANALOG" is indicated on the display for a second.</li> <li>• AUX input level→MID</li> <li>• Source indicator (MD) is turned ON .</li> </ul>	
2	Digital through test mode	SOUND	<ul style="list-style-type: none"> <li>• The "DIGITAL1" is indicated on the display for a second. "DIGITAL1"→CD input</li> <li>• Source indicator (MD) is blinked.</li> </ul>	

6-3-2 MD TEST mode for adjustment

1. Preparation for adjustment

Test disc

	Type	Test disc
1	High reflection disc	TGYS1 (SONY)
2	Low reflection disc	Recording minidisc
3	—	Head Adjusting transparent

2. Test mode

Test mode setting method

- 1. While pressing the [MD PLAY] key, plug the AC power cord into the AC power outlet. (Start from Ⓐ if no disc load, Ⓑ if disc load.)

STEP Display

Ⓐ MD



Ⓑ EJECT



Ⓒ AUT YOBI



Ⓓ tsm ○○○○e○○○

Change to step Ⓓ if press <MD STOP> key. Return to Ⓒ if press <MD REC>key.

○○○○: MD microprocessor version.

\* Repair service is available for AUTO pre-adjustment and AUTO adjustment only. Press MD STOP key to cancel the test mode if in needless test modes.

Entering the specific mode

Whenever the [MD REC] button is pressed, the mode is changed.



• Canceling the test mode

When the POWER button is pressed, the test mode is canceled, and the POWER OFF state is set.



• **Test Mode**

1. AUTO pre-adjustment mode	<ul style="list-style-type: none"> <li>Automatic pre-adjustment is performed. (After adjustment the grating adjustment mode is set.)</li> <li>The adjustment value is output with the aid of system controller interface.</li> </ul>
2. AUTO adjustment mode	<ul style="list-style-type: none"> <li>Automatic adjustment is performed.</li> <li>The adjustment value is output with the aid of system controller interface.</li> <li>Continuous playback is performed. (Error rate indication, jump test)</li> </ul>
3. RESULT sub-mode*	<ul style="list-style-type: none"> <li>The measurement value, set value and calculated value are indicated.</li> <li>The set value is changed manually (in servo OFF state).</li> </ul>
4. RESULT mode (final adjustment)*	<ul style="list-style-type: none"> <li>The set value (after calculation) is indicated.</li> <li>The set value is changed manually (in servo OFF state).</li> </ul>
5. MANUAL pre-adjustment mode*	<ul style="list-style-type: none"> <li>RF side manual adjustment is performed.</li> <li>Focus and tracking signal ATT manual adjustment is performed.</li> <li>Focus and tracking signal offset setting is performed.</li> </ul>
6. MANUAL adjustment mode*	<ul style="list-style-type: none"> <li>Focus and tracking signal ATT manual adjustment is performed.</li> </ul>
7. EEPROM setting mode*	<ul style="list-style-type: none"> <li>Don't adjust.</li> </ul>
8. TEST-PLAY mode*	<ul style="list-style-type: none"> <li>Continuous playback from the specified address is performed.</li> <li>C1 error rate measurement,</li> </ul>
9. TEST-REC mode*	<ul style="list-style-type: none"> <li>Continuous recording from the specified address is performed.</li> <li>Change of record laser output (servo gain is also changed according to laser output)</li> </ul>
10. EJECT mode*	<ul style="list-style-type: none"> <li>TEMP setting (of EEPROM setting)</li> </ul>

\* This mode is not used for service.

**1. AUTO pre-adjustment mode (Low reflection disc only)**

Step No.	Setting Method	Remarks	Display
Step 1	Test mode STOP state		[ t s m○○○○ e ○○ ]
Step 2	Press once the MD REC button.	AUTO pre-adjustment menu	[ A U T O ]
Step 3	Press once the MD PLAY button.	The slide moves to the innermost periphery, and automatic pre-adjustment is started. <ul style="list-style-type: none"> <li>During automatic adjustment *** changes as follows. HAO→RFg→SAg→SBg→PTG→PCH→GTG→GCH→RCG→SEG→RFG→SAG→HAO→HEO→TCO→LAO</li> <li>If adjustment is OK, Step 4.</li> <li>If adjustment is NG, Step 5.</li> </ul>	[ *** : _ _ _ _ _ ]
	End of adjustment		
Step 4	Grating adjustment, adjustment value output Press once the MD STOP button.	STEP 2	[ _ C O M P L E T E _ ]
Step 5	Adjustment value output Press once the MD STOP button.	STEP 2 AUTO pre-adjustment menu	[ A U T Y O B I ]

• \*\*\* : Adjustment name, □□□□ : Address

**2. AUTO adjustment mode**

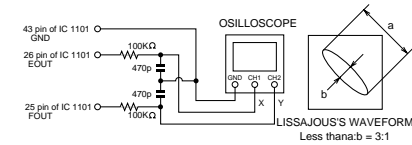
Step No.	Setting Method	Remarks	Display
Step 1	Test mode STOP state		[ t s m○○○○ e ○○ ]
Step 2	Press the MD REC button two times.	AUTO adjustment menu	[ A U T O _ A J S T _ ]
Step 3	Press once the MD PLAY button.	The slide moves to the innermost periphery, and automatic adjustment is started. <ul style="list-style-type: none"> <li>In case of high reflection disc *** changes as follows. PEG→HAG</li> <li>In case of low reflection disc *** changes as follows. PEG→LAG→GCG→GEG→LAG</li> <li>If adjustment is OK, Step 4.</li> <li>If adjustment is NG, Step 7.</li> </ul>	[ *** : _ _ _ _ _ ]
	End of adjustment		
Step 4	Adjustment value output Press the MD PLAY button. Press the MD STOP button.	STEP 5 STEP 2	[ _ C O M P L E T E _ ]

Step No.	Setting Method	Remarks	Display
Step 5	Continuous playback (groove section)		[ a□□□□c○○○○ ]
Step 6	Press the MD STOP button.	STEP 2 AUTO adjustment menu	
Step 7	Adjustment value output Press the MD STOP button.	STEP 2 AUTO adjustment menu	[ C a n ' t _ A D J . ]

• \*\*\* : Adjustment name, ○○ : Measurement value, □□□□ : Address

● **Mechanism Adjustment**

**1. Optical pickup grating deviation**

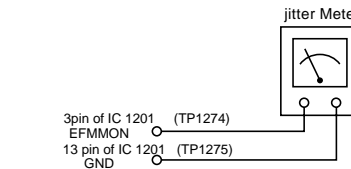


**Figure 1-1 Optical Pickup Grating Deviation Measuring Method**

After the automatic adjustment is performed in the AUTO mode (test mode) with the aid of high reflection MD disc ("COMPLETE" is displayed), the Lissajous's waveform (x-y) is adjusted.

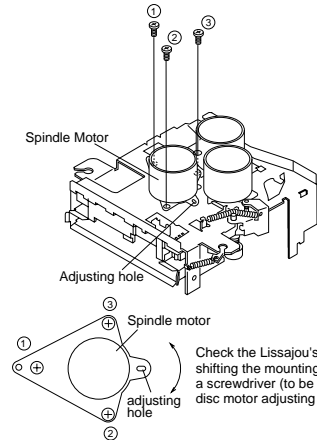
- Slightly loosen the 3 screws of spindle moto, and make an adjustment, observing the Lissajous's waveform.
- After adjustment tighten the screw in order of ①, ②, ③.

**2. Jitter adjustment and checking method**



**Figure 1-3 Jitter connection diagram**

After performing automatic adjustment in AUTO mode of TEST mode using the low reflection MD disc, check this jitter in pit continuous playback and groove continuous playback mode.



**Figure 1-2**

### 6-4 Test mode of CD player

#### 6-4-1 Main unit

##### (1) Setting of the test mode

While pressing the [CD PLAY] key, plug the AC power cord into an AC outlet.

##### (2) Canceling of the test mode.

Unplug the AC power cord from AC power outlet or press the [SET] key.

##### (3) Operation

KEY	DISPLAY	OPERATION															
[DISC3 PLAY] +AC	CD 5 01	POWER ON, SEL CD Mecha. initialization Tray 3 opens															
STOP	CD 5 01	STOP															
PLAY/PAUSE ↓ ↑ PLAY (Cyclically changed)	CD 5 05 PLAY MARK ON ▶	05 MODE															
	CD 5 03 PAUSE MARK ON ■	TRAY CLOSE/DISC CLAMP 03 MODE (TRACKING SERVO OFF)															
FF	CD 5 01	Pick manual feed (IN→OUT) (Stop mode only)															
FB	CD 5 01	Pick manual feed (OUT→IN) (Stop mode only)															
SKIP DOWN	CD 5	Indication : Adjustment value/Mean value (stop mode only)/HEX															
		<table border="1"> <tr> <td>DOT section</td> <td>TNO section</td> <td>SEC. section</td> </tr> <tr> <td>TB/FB</td> <td>TB value</td> <td>FB value</td> </tr> <tr> <td>TG/FG</td> <td>TG value</td> <td>FG value</td> </tr> <tr> <td>FE/RF</td> <td>FE value</td> <td>RF value</td> </tr> <tr> <td>TE/VC</td> <td>TE value</td> <td>VC value</td> </tr> </table>	DOT section	TNO section	SEC. section	TB/FB	TB value	FB value	TG/FG	TG value	FG value	FE/RF	FE value	RF value	TE/VC	TE value	VC value
		DOT section	TNO section	SEC. section													
		TB/FB	TB value	FB value													
		TG/FG	TG value	FG value													
FE/RF	FE value	RF value															
TE/VC	TE value	VC value															
SKIP UP	CD 5 06	Read TOC → play															

#### 6-4-2 Mecha. manual mode

##### (1) Setting

While pressing the [DISC 1 PLAY] Key, plug the AC power cord into an AC outlet.

##### (2) Cancelling

Press the [ON/STAND BY] Key.

##### (3) Operation

KEYS	INDICATION	OPERATION
FF	CD MANUAL	LIFT MOTOR UP
FB	CD MANUAL	LIFT MOTOR DOWN
DISC 2	CD MANUAL	LOAD MOTOR OPEN
DISC 3	CD MANUAL	LOAD MOTOR CLOSE

### 7. MD mechanism error message

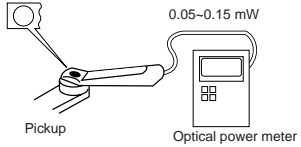
DISPLAY	DESCRIPTION
BLANK DISC	Non Recorded disc
CANT COPY	Inhibit to record by SCMS
CANT EDIT	Inhibit to edit by MD standard
CANT REC	Inhibit to record by disc damage(10 or more defects/recordable cluster is 0)
DISC ERROR**	OR : UTOC read error or FTNO>LTNO (edit/record) permit ALL ERASE only
	DO : Start address TNO>endless TNO (playback) handle poor TNO as 1SG (edit/record) permit ALL ERASE only
	C0 : Write poor data in UTOC0
	C1 : Write poor data in UTOC1
	C2 : Write poor data in UTOC2
	C4 : Write poor data in UTOC4 (play back) playback even if address roof(C0) (edit/record) permit ALL ERASE only
DISC FULL	No recordable area
MECH ERR**	10-13 : head poor down
	20-23 : head poor up
no disc	No disc in the unit
NO TRACKS	Disc recorded title only
NOT AUDIO	Disc recorded audio signal.
PLAY ONLY	Record to music disc
PROTECTED	Record disc inhibited to record
READING	In mode of reading TOC or UTOC
SRCH ERR**	30 : Search time over in playback, FF or FB
	31 : Search time over in REC-PAUSE
	32 : Search time over in record
TEMP OVER	High temperature
TITLE FULL	Input over letter of title
UNIT ERROR	Hardware damage
UTOC W ERR	Error of writing to UTOC
WRITING	In writing to UTOC

**Adjustment of CD player**

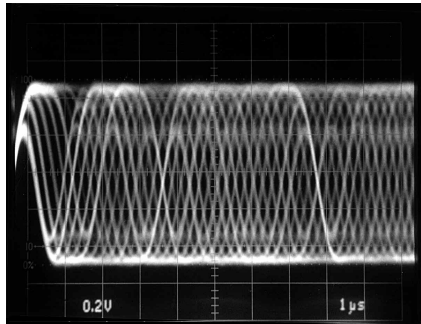
No.	ITEM	INPUT SETTING	OUTPUT SETTING	PLAYER SETTING	ALIGNMENT POINT	ALIGN FOR	FIG.
<b>TEST MODE : While pressing the [DISC 3 PLAY] key, plug the AC power cord into the AC outlet.</b>							
1	LASER POWER	-	Set the sensor section of the optical power meter on the pickup lens.	Press the "PLAY" key to check that the display is "03".	-	On the power from 0.05 to 0.15mW, when the diffraction grating is correctly aligned with the RF level of 0.8Vp-p or more	(a)
2	FOCUS ERROR BIAS	Test disc Type 4	Connect an oscilloscope as follows. (+)side : RF(CN1-1) GND : VC (CN1, 4)	Press the "PLAY" key. Confirm that the display is "05".	VR1	Optimum eye pattern	(b)

Note:  
Type 4 disc :SONY YEDS-18 Test Disc or equivalent.  
LPF : Around 47kΩ + 390pF or so.

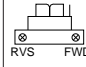
(a) Laser Power

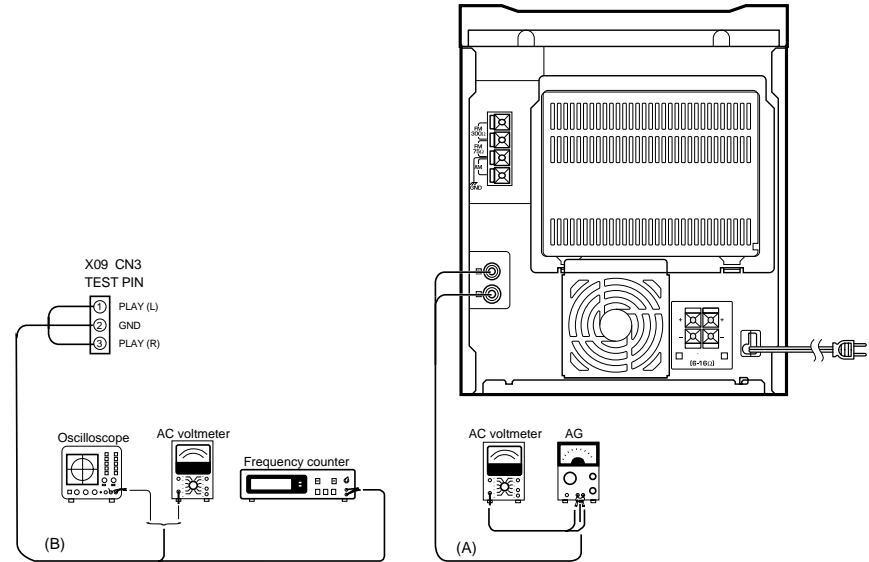


(b) RF signal : AC coupled



- RF signal in test mode (PLAY).
- Perform the tangential and focusing offset are focused into one point on the display. The crossing points above and below the center shall also be looked clearly.

NO.	ITEM	INPUT SETTING	OUTPUT SETTING	CASSETTE TAPE DECK SETTING	ALIGNMENT POINTS	ALIGN FOR	FIG.
<b>Unless otherwise specified, set the respective switches as follows:</b> TAPE : NORMAL DOLBY : OFF I Cassette mechanism unit (Adjustment of the REC / PLAY head)							
(1)	Demagnetization and cleaning	-	-	Power : OFF Demagnetization, cleaning, PLAY	Recording head, erase head, capstan pinch roller	Demagnetize the REC / PLAY head with the head eraser. Clean the REC / PLAY head, erase head, capstan and pinch roller using a cotton swab slightly damped with alcohol.	
(2)	Azimuth of the REC / PLAY head	SCC-1727 TCC-153 MTT-114 10kHz, -10dB	(B)	PLAY		Adjust the output to maximum and adjust the azimuth adjustment screw for the Lissajours waveform pattern of the oscilloscope to become close to a 45° straight line.	
<b>II PC board adjustment.</b>							
(1)	BIAS CURRENT	(A) Adjust the AG for the output of the DECK to become 12.5kHz -20dBs. 400Hz / 12.5kHz (AC-224)	(B)	REC PLAY	VR3(L) VR4(R)	Record 400Hz and 12.5kHz alternately, and adjust the bias current adjustment potentiometer for the playback levels to become the same.	



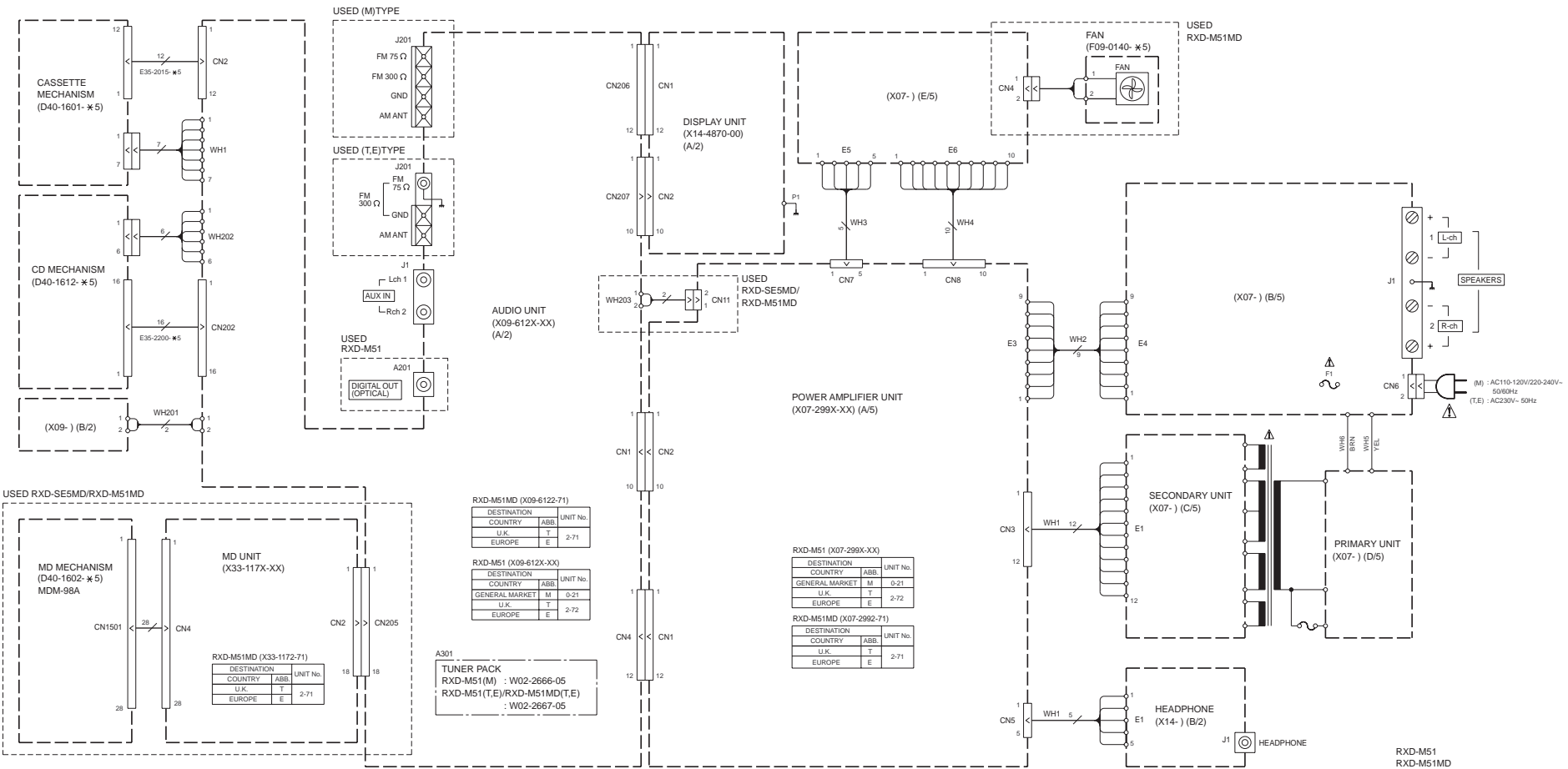
★ The MD Adjustment is listed on page 8 through p10.

ADJUSTMENT

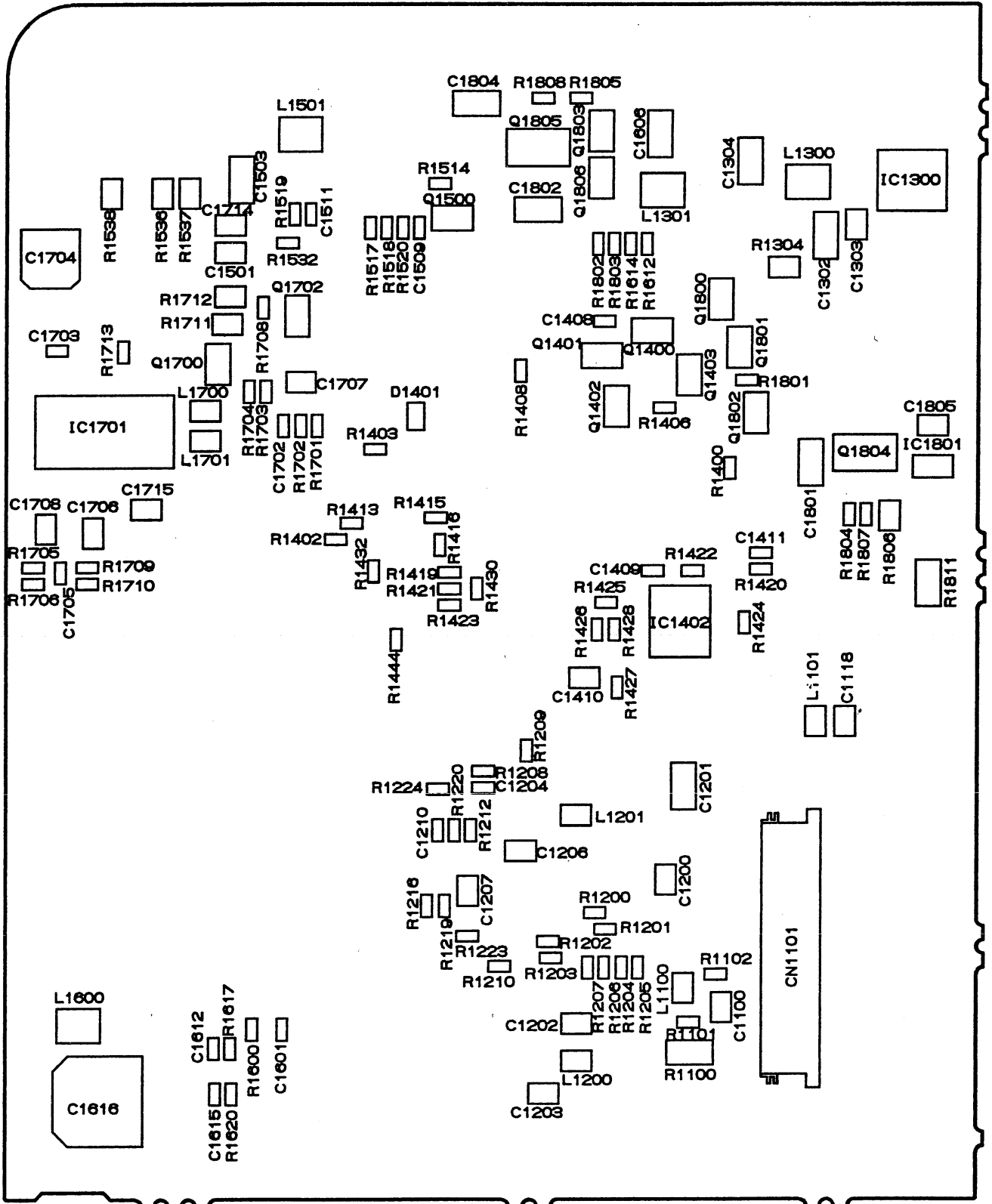
RXD-M51/M51MD

# RXD-M51/M51MD

## WIRING DIAGRAM



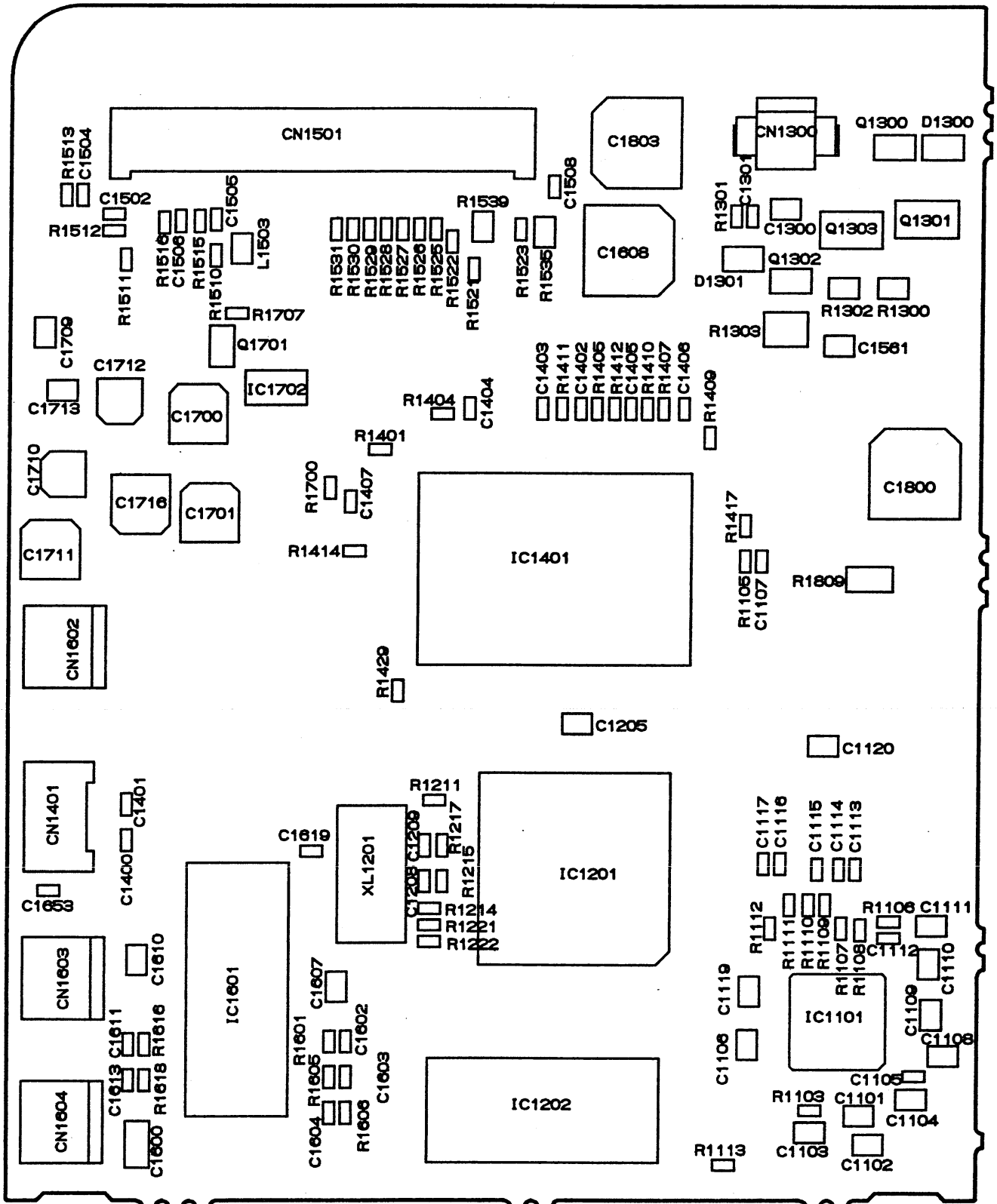
# PC BOARD PARTS LOCATION



MD MAIN PWD-A (TOP VIEW)

Refer to the schematic diagram for the value of resistors and capacitors.

# PC BOARD PARTS LOCATION



MD MAIN PWB-A (BOTTOM VIEW)

# PC BOARD (Component side view)

1

2

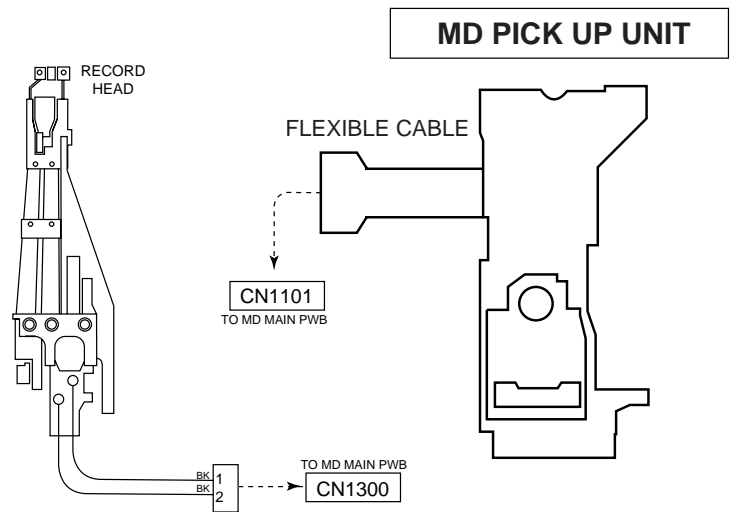
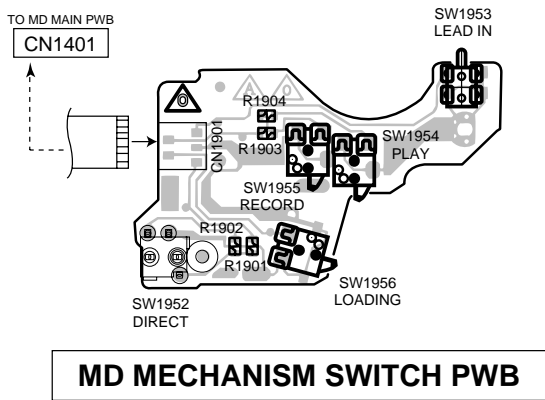
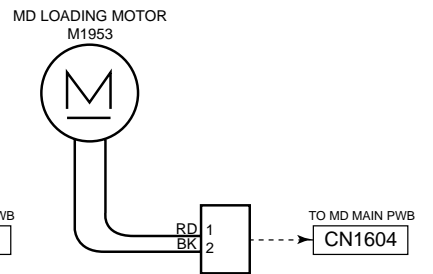
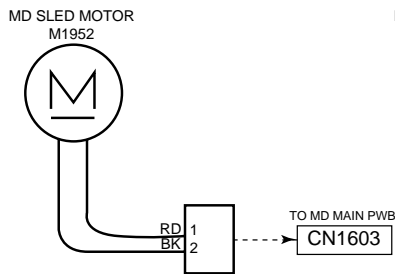
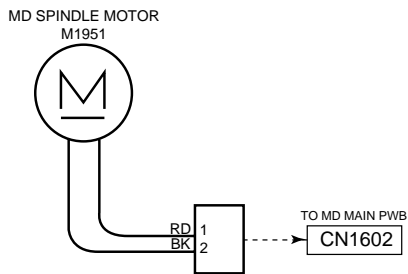
3

4

5

6

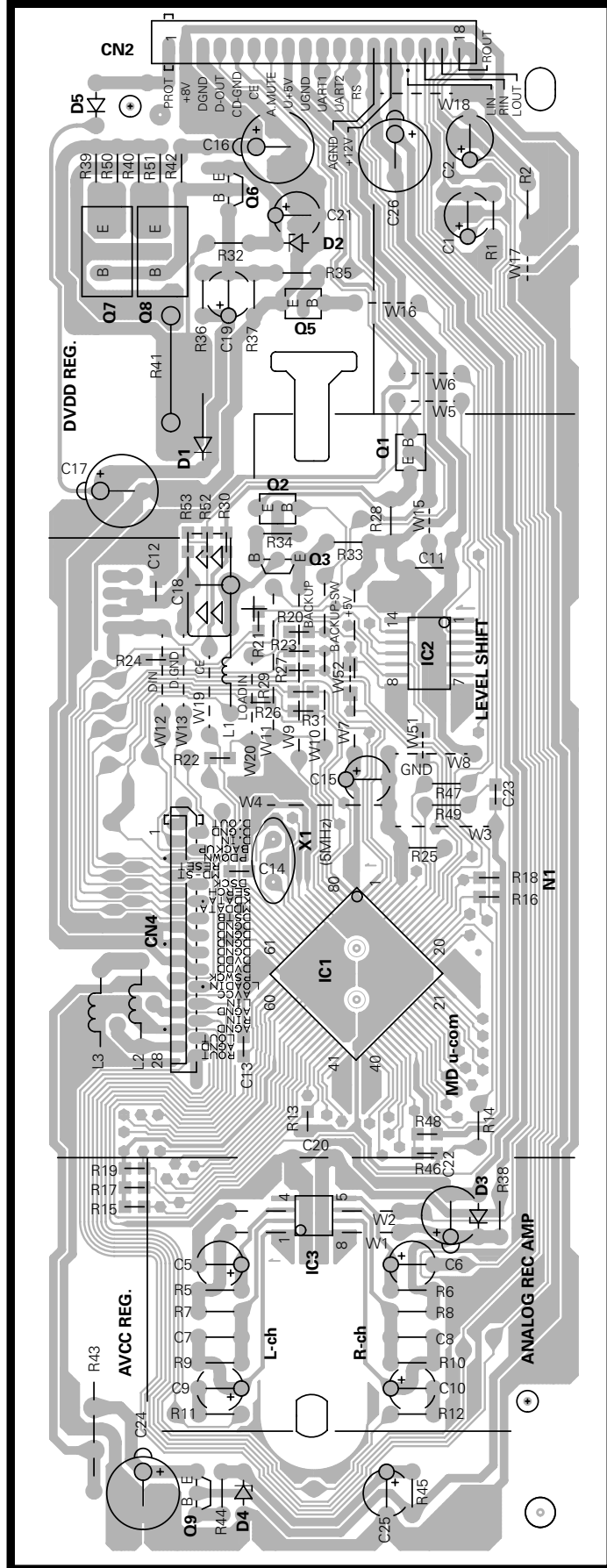
7



# PC BOARD(Component side view)

MD UNIT

X33-1172-71 : T1E1



Refer to the schematic diagram for the value of resistors and capacitors.





# PC BOARD (Component side view) AUDIO UNIT

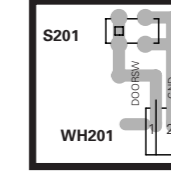
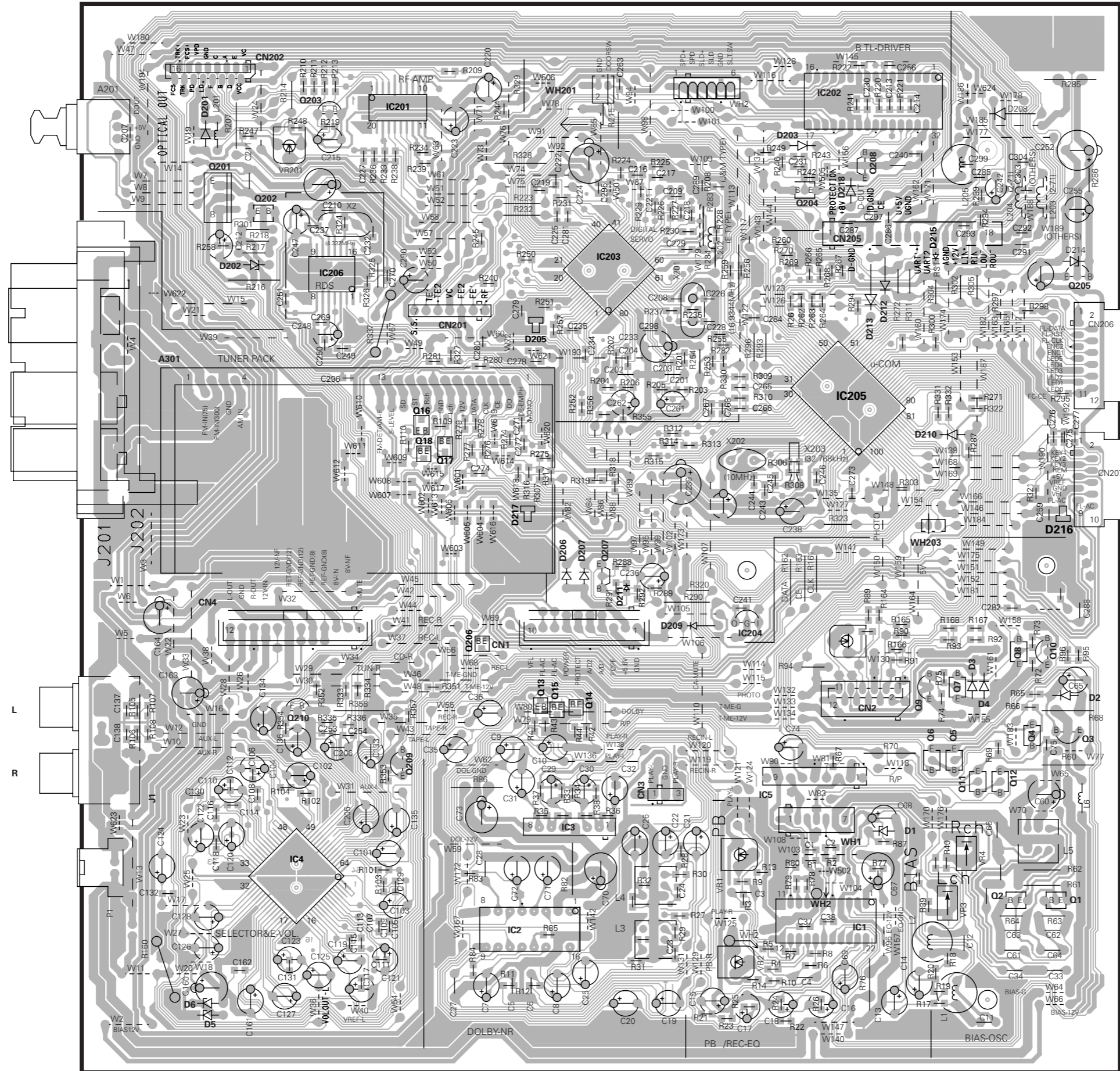
X09-6122-71 A/2: T1E1 2-72 : T2E2 0-21 : M1

X09 B/2

DIGITAL  
OUT  
OPTICAL

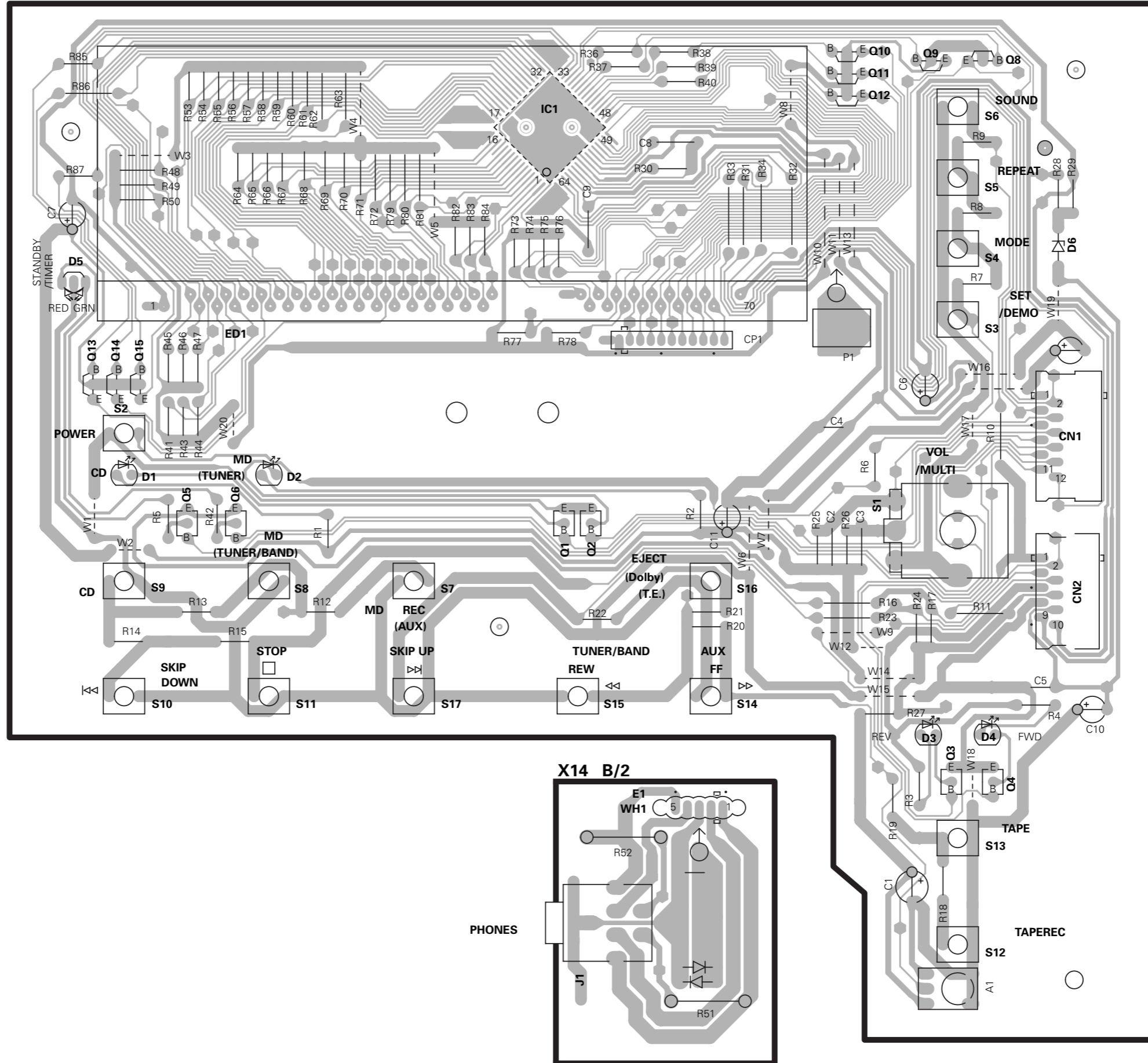
ANTENNA

AUX-IN  
L  
R



# PC BOARD (Component side view) DISPLAY UNIT

X14-4870-00 A/2



1

2

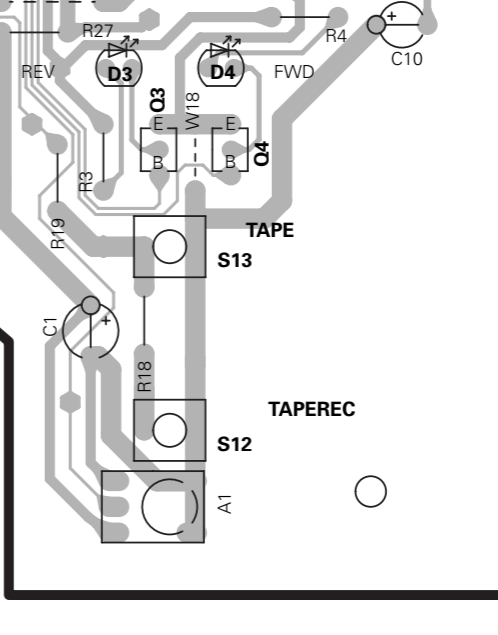
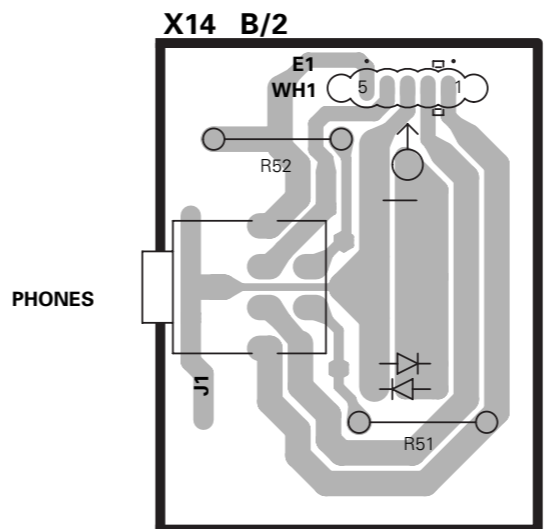
3

4

5

6

7



- IC1101 : IR3R55
- IC1201 : LR376484
- IC1202 : IX2474AF
- IC1300 : 74ACT02F
- IC1401 : IX0253AW
- IC1402 : S29294A
- IC1601 : BA5984FP
- IC1701 : UDA1344
- IC1702 : NJM431U
- IC1801 : XC62EP32

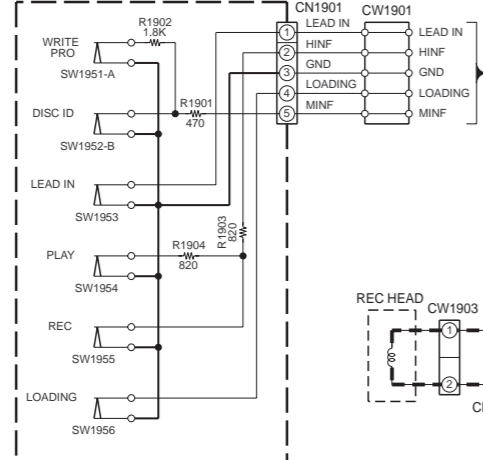
- Q1300,1302 : 2SK2909
- Q1301,1303 : 2SK1473
- Q1400,1401,1701 : RNC1404
- Q1402,1403 : RN2404
- Q1500,1800,1802 : RNC1407
- Q1700 : 2SC2412KR
- Q1702,1801 : 2SA1162G
- Q1803,1806 : RN1406
- Q1804,1805 : 2SA1314C

- D1300,1301 : SB0209CP
- D1401 : SB00703Q

--- DIGITAL LINE  
 ——— SIGNAL LINE  
 ——— GND LINE  
 ←+B ← +B LINE

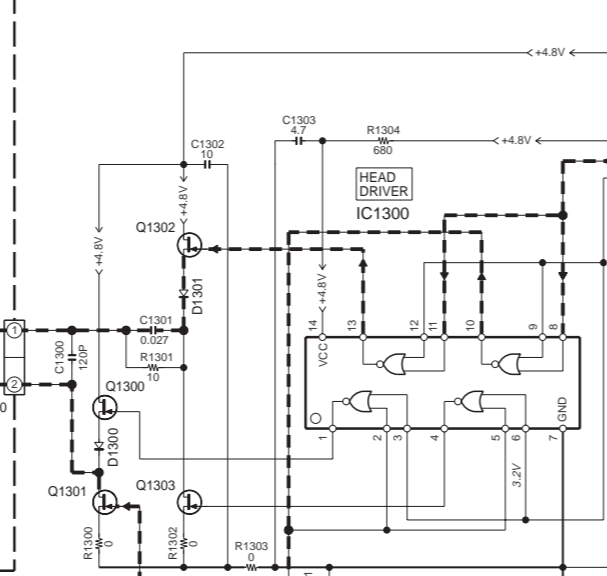
NOT USED RXD-M51(M,T,E)

MECHA. (SW PWB)



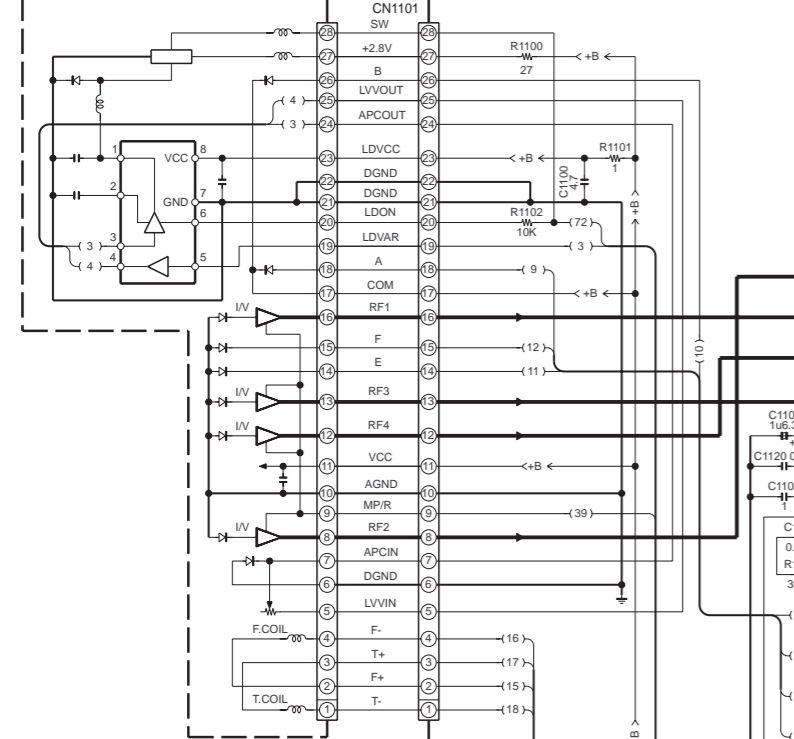
MD MECHANISM (D40-1602-✕5) MDM-98A

REC HEAD CW1903

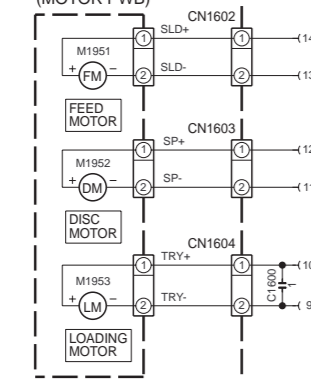


PICKUP

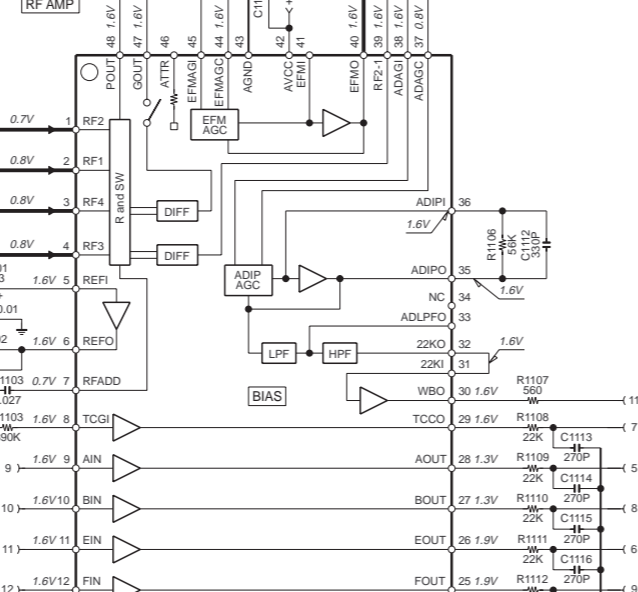
CN1101 SW



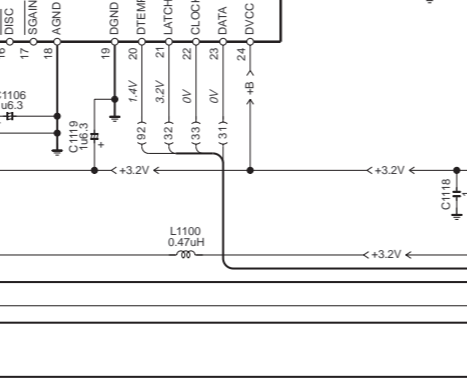
MECHA. (MOTOR PWB)



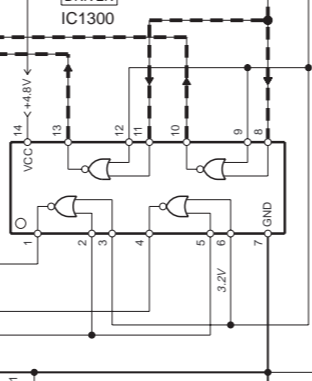
IC1101 RF AMP



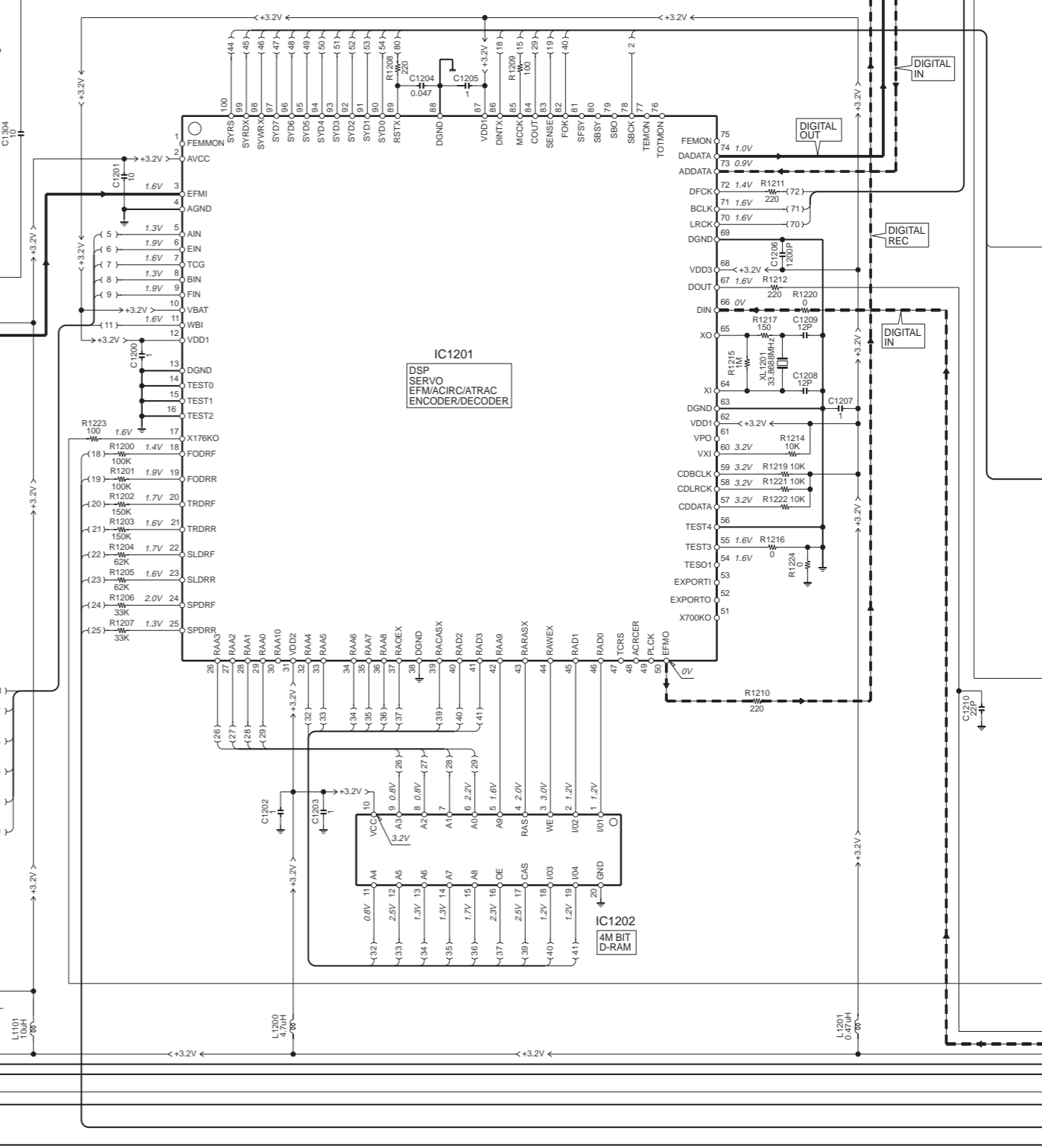
LOGIC



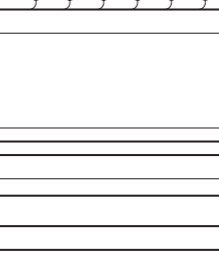
HEAD DRIVER IC1300



IC1201 DSP SERVO EFM/ACIRC/ATRAC ENCODER/DECODER

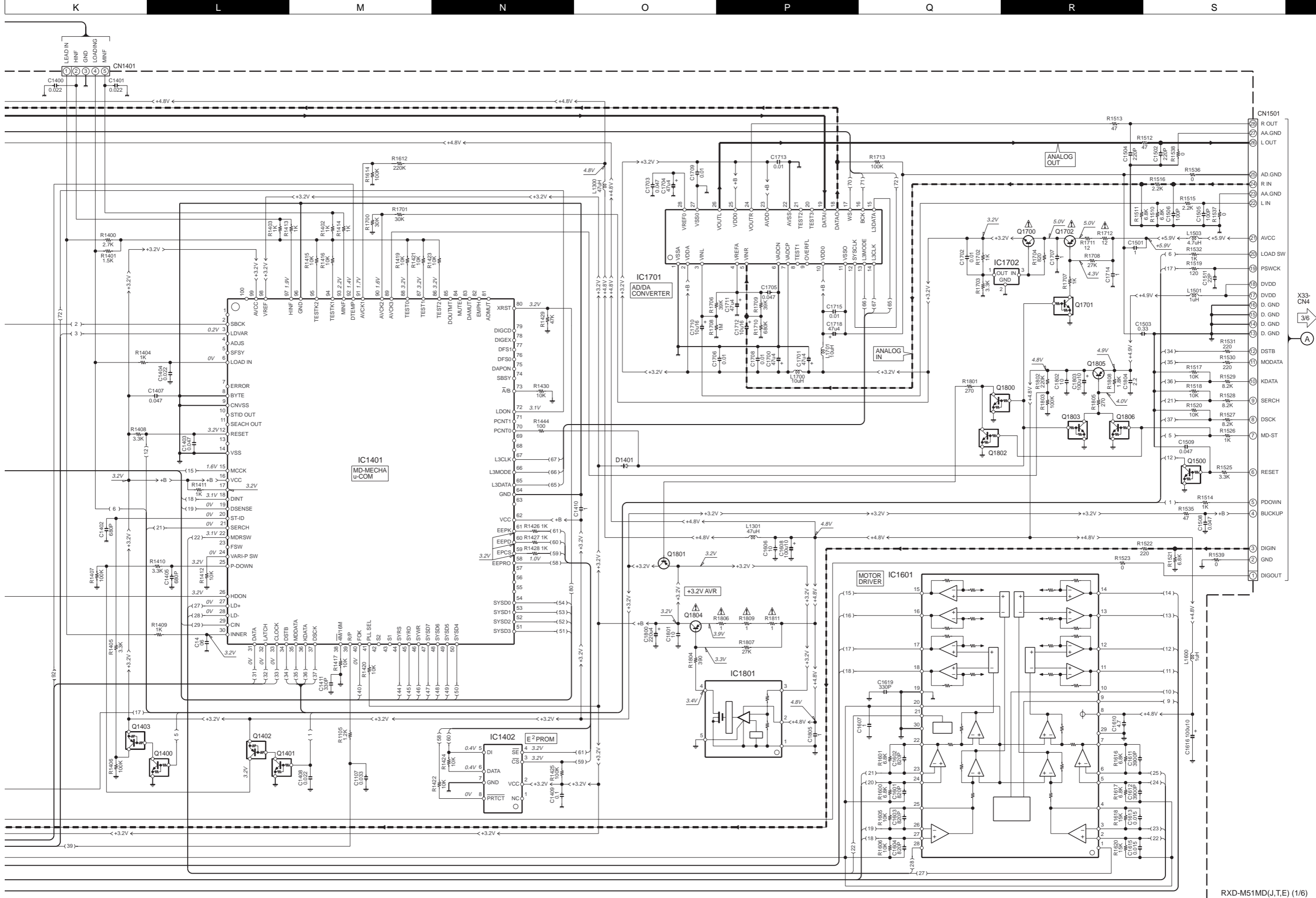


IC1202 4M BIT D-RAM



**CAUTION:** For continued safety, replace safety critical components only with manufacturer's recommended parts (refer to parts list).  $\Delta$  indicates safety critical components. For continued protection against risk of fire, replace only with same type and rating fuse(s). To reduce the risk of electric shock, leakage-current or resistance measurements shall be carried out (exposed parts are acceptably insulated from the supply circuit) before the appliance is returned to the customer.

The DC voltage is an actual reading measured with a high impedance type voltmeter. The measurement value may vary depending on the measuring instruments used or on the product. Refer to the voltage during RECORDABLE MD PLAY unless otherwise specified; The value shown in ( ) is the voltage measured at the moment of STOP. The voltage followed by (REC) refers to the value during MD RECORDING.



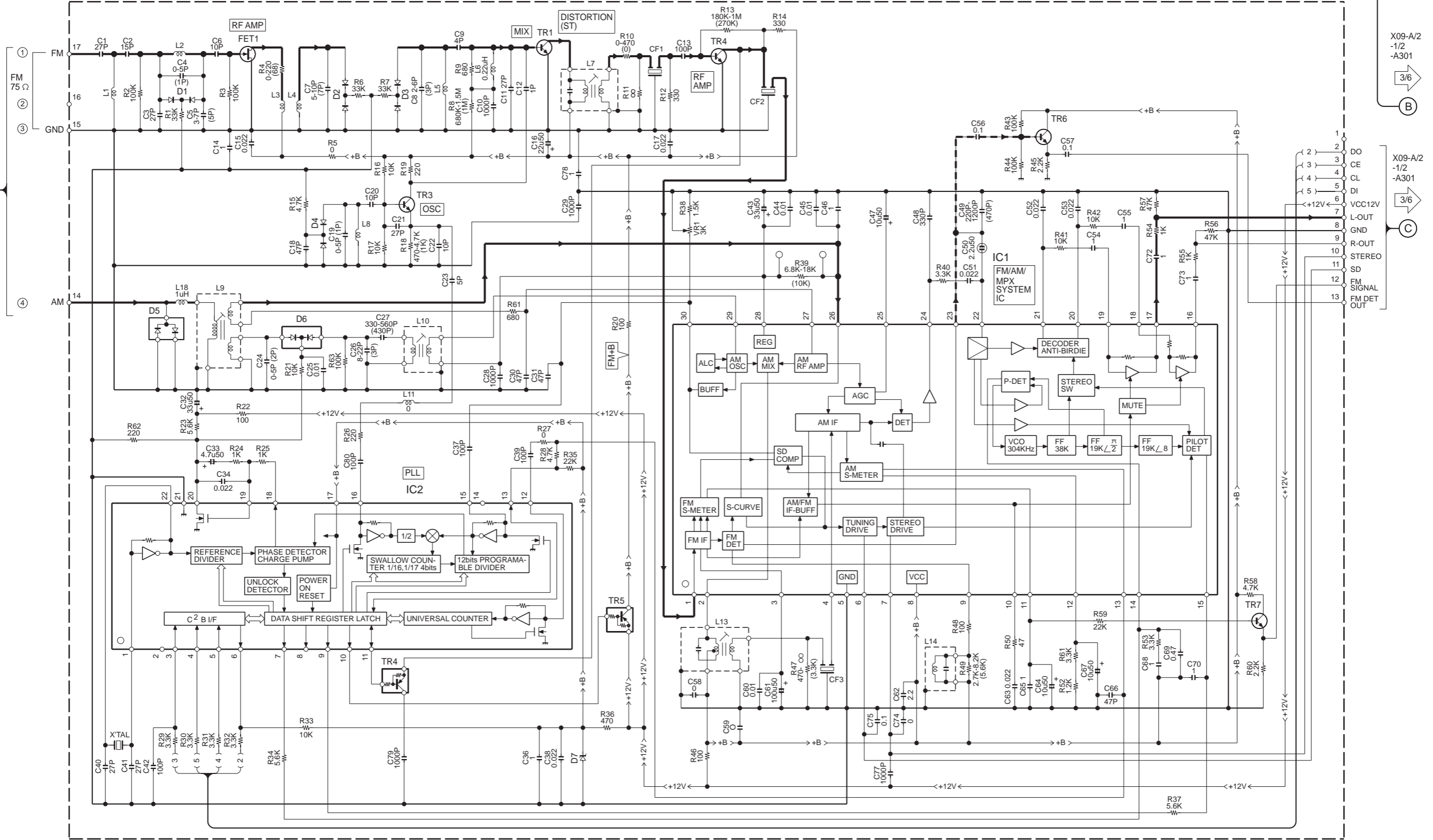
RXD-M51MD(J,T,E) (1/6)

# RXD-M51/M51MD

Y39-2980-51

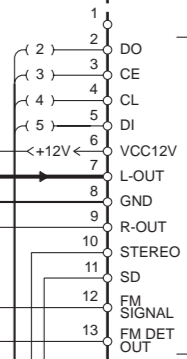
KENWOOD

TUNER PACK  
(W02-2667-05) RXD-M51(T,E)/RXD-M51MD(T,E) TYPE



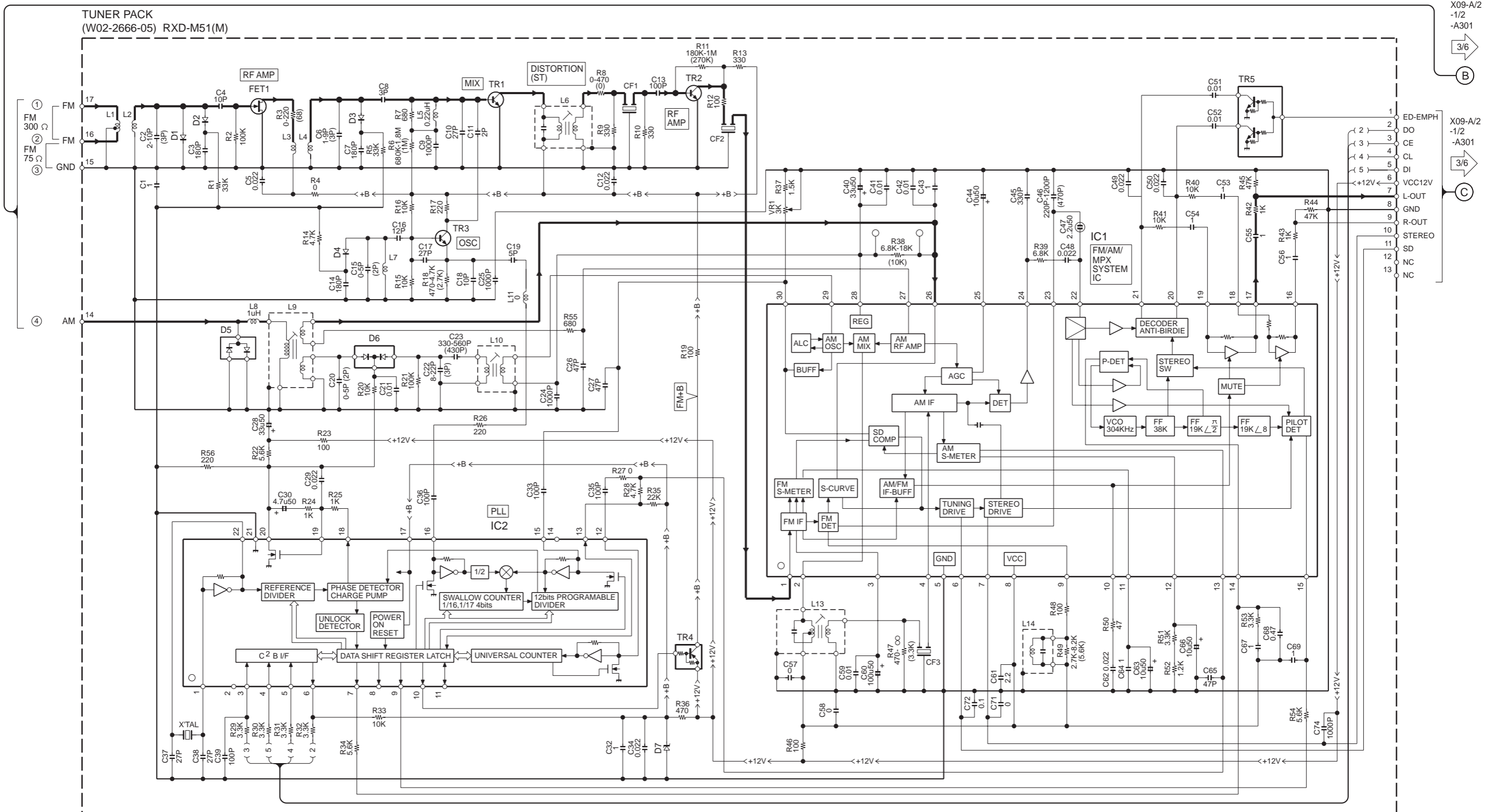
X09-A/2  
-1/2  
-A301  
3/6  
B

X09-A/2  
-1/2  
-A301  
3/6  
C



— SIGNAL LINE  
— GND LINE  
— +B LINE

- |                       |                        |                |
|-----------------------|------------------------|----------------|
| TR1 : 2SC271401 or 02 | D1 : HSU277            | IC1 : LA1837M  |
| TR2 : 2SC4098Q or P   | D2-4 : BB804SF3 or 2,4 | IC2 : LC72131M |
| TR3 : 2SC2413KP or N  | D5 : DA204U            |                |
| TR4,5 : DTA114EUA     | D6 : SVC347S or T      |                |
| TR6,7 : 2SC4081R or Q | D7 : UDZS5.1B          |                |
| FET1 : 2SK302GR       |                        |                |



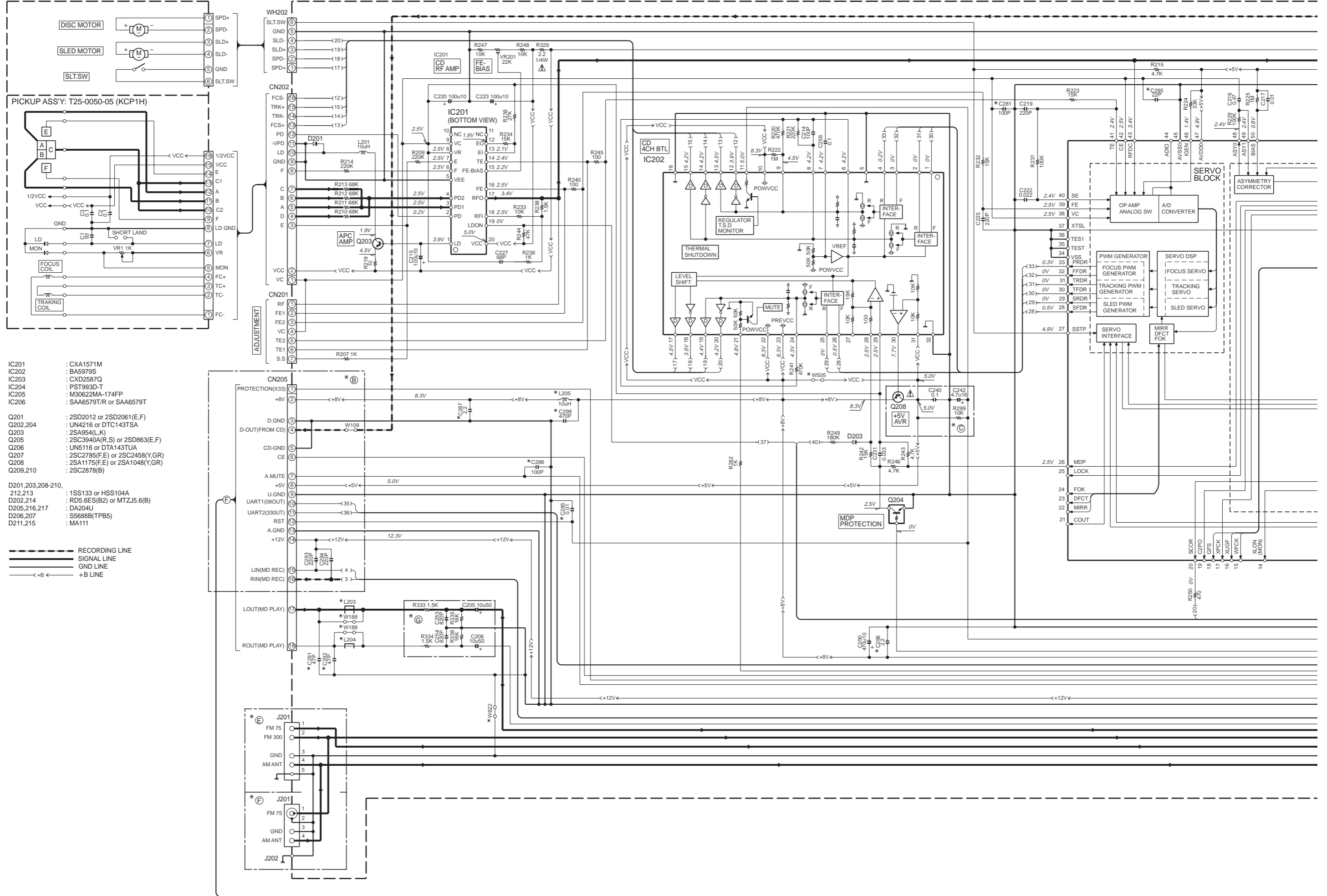
- |                       |                   |                |
|-----------------------|-------------------|----------------|
| TR1 : 2SC271401 or 02 | D1 : HSU277       | IC1 : LA1837M  |
| TR2 : 2SC4098Q or P   | D2-4 : HVU202     | IC2 : LC72131M |
| TR3 : 2SC2413KP or N  | D5 : DA204U       |                |
| TR4 : DTA114EUA       | D6 : SVC347S or T |                |
| TR5 : UHM11           | D7 : UDZS5.1B     |                |
| FET1 : 2SK302GR       |                   |                |

RXD-M51(M,T,E) (2/6)  
RXD-M51MD(T,E) (2/6)

The DC voltage is an actual reading measured with a high impedance type voltmeter as the AM/FM signal generator is specified to the conditions as shown in the list below. The measurement value may vary depending on the measuring instruments used or on the product. The value shown in ( ) is actual reading measured in the AM mode.

MODE	CARRIER	MODULATION		ANT INPUT
		FREQUENCY	DEVIATION	
FM	98MHz	1kHz	STEREO 67.5kHz 7.5kHz(Pilot)	60dB
AM	1000(999)kHz	400Hz	MONO 30% MOD	60dB

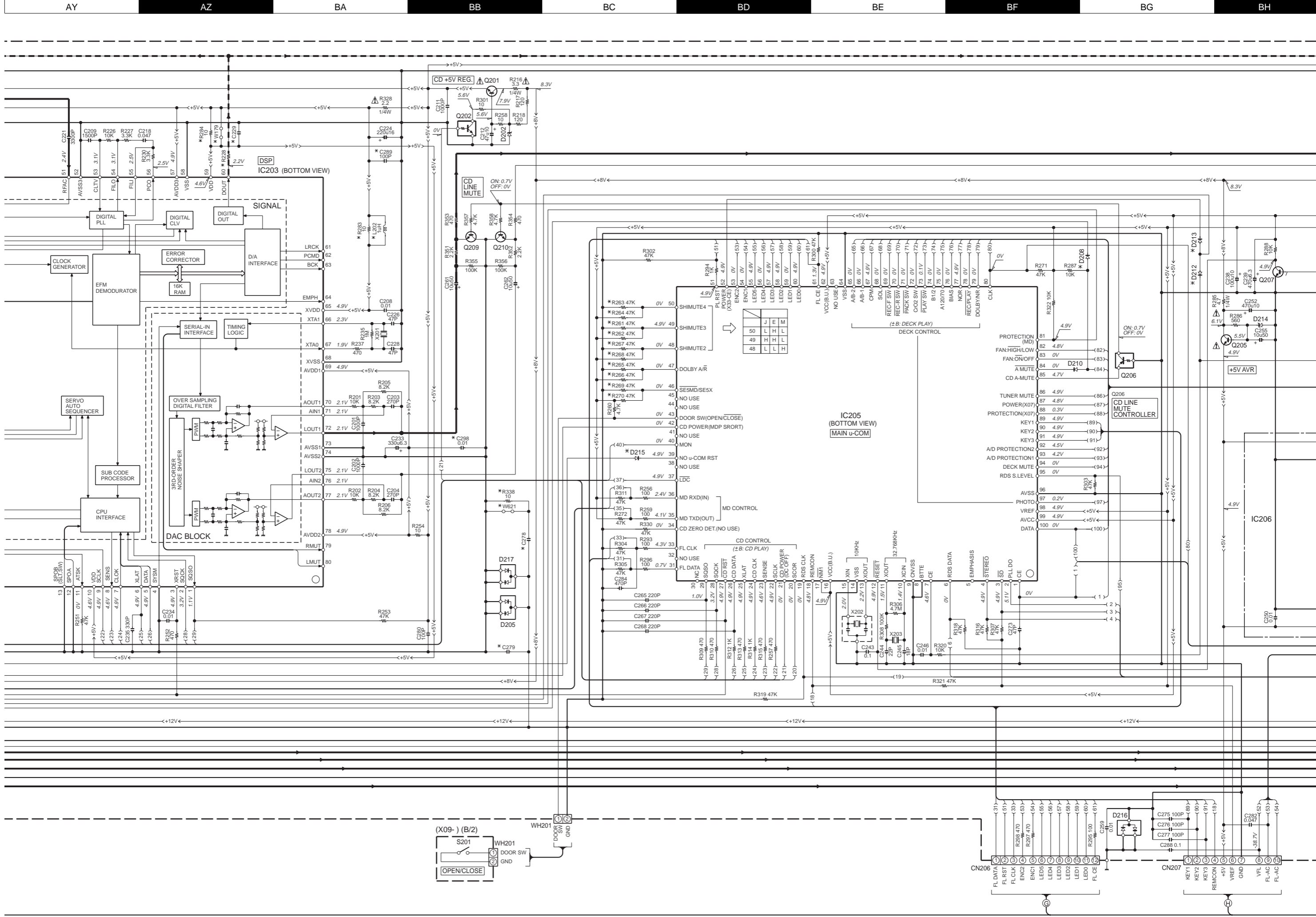
**CAUTION:** For continued safety, replace safety critical components only with manufacturer's recommended parts (refer to parts list).  $\Delta$  indicates safety critical components. For continued protection against risk of fire, replace only with same type and rating fuse(s). To reduce the risk of electric shock, leakage-current or resistance measurements shall be carried out (exposed parts are acceptably insulated from the supply circuit) before the appliance is returned to the customer.

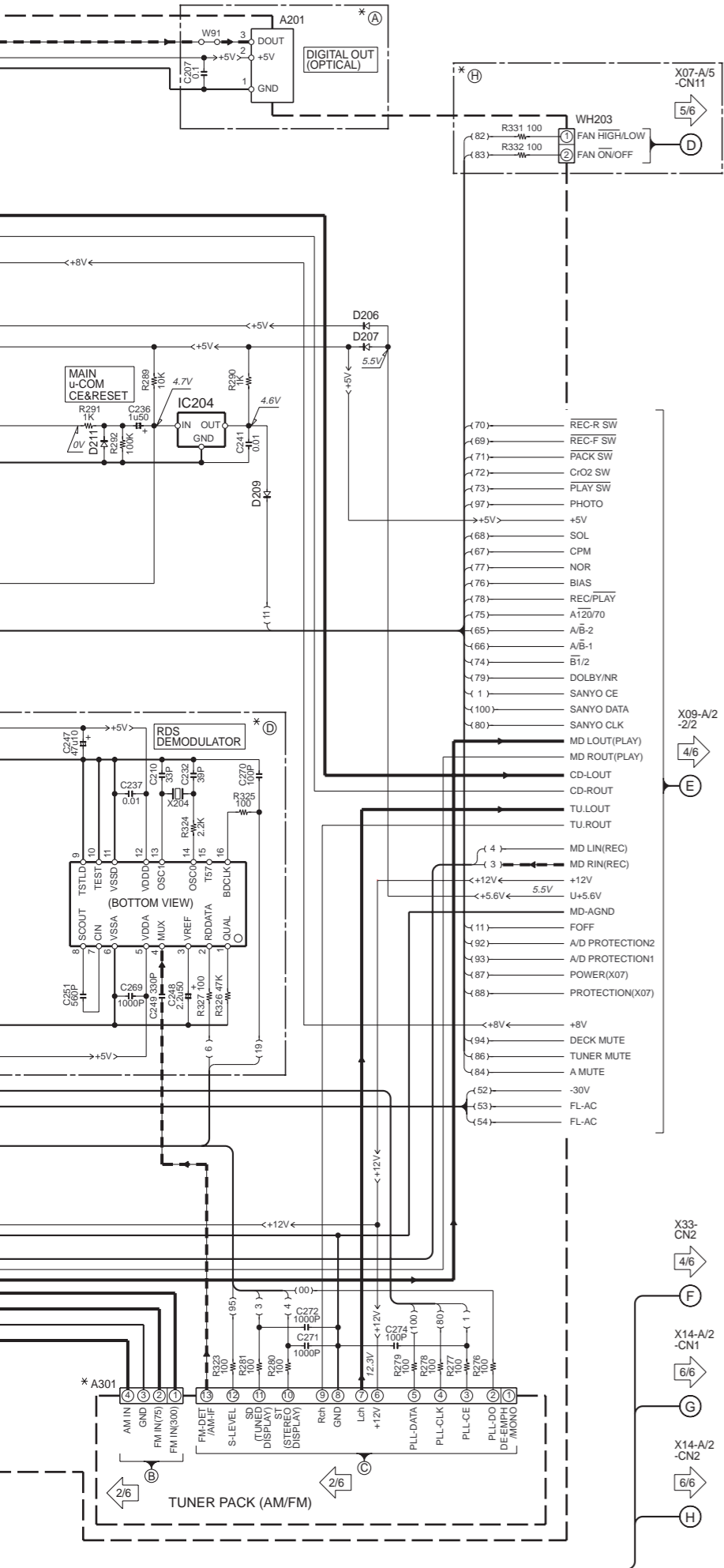


- IC201 : CXA1571M
- IC202 : BA5979S
- IC203 : CXD2587Q
- IC204 : PST993D-T
- IC205 : M30622MA-174FP
- IC206 : SAA6579T/R or SAA6579T
  
- Q201 : 2SD2012 or 2SD2061(E,F)
- Q202,204 : UN4216 or DTC143TSA
- Q203 : 2SA954(L,K)
- Q205 : 2SC3940A(R,S) or 2SD863(E,F)
- Q206 : UN5116 or DTA143TUA
- Q207 : 2SC2785(F,E) or 2SC2458(Y,GR)
- Q208 : 2SA1175(F,E) or 2SA1048(Y,GR)
- Q209,210 : 2SC2878(B)
  
- D201,203,208-210, 212,213 : 1SS133 or HSS104A
- D202,214 : RD5.6ES(B2) or MTZJ5.6(B)
- D205,216,217 : DA204U
- D206,207 : S5688B(TPB5)
- D211,215 : MA111

- - - RECORDING LINE  
 \_\_\_\_\_ SIGNAL LINE  
 ..... GND LINE  
 - · - · +B LINE







RXD-M51MD (X09-6122-71)

DESTINATION	COUNTRY	ABB.	UNIT No.	A	B	C	D	F	G	H	W179, 622	W188, 189, 505, 621	L202-205	D208, 212, 213, 215	J201
U.K.	T		2-71	NO		YES					YES	NO	YES	YES	E70-0052
EUROPE	E		2-71	NO		YES					YES	NO	YES	YES	E70-0052

RXD-M51 (X09-612X-XX)

DESTINATION	COUNTRY	ABB.	UNIT No.	R228	R261, 263, 265, 268, 270, 283, 284	R262, 264, 266, 267, 269, 338	R265, 269, 338	R266, 270	C229	C278	C279	C281, 285-287, 289, 291, 292, 295, 296, 298, 299	D208, 212, 213, 215	J201
GENERAL MARKET	M		0-21											E70-0107
U.K.	T		2-72	YES	NO	NO	YES	NO	YES	NO	YES	NO	NO	E70-0052
EUROPE	E		2-72	YES	NO	YES	NO	YES	100P	470P	100P	YES	NO	E70-0052

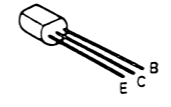
RXD-M51 (X09-612X-XX)

DESTINATION	COUNTRY	ABB.	UNIT No.	R228	R261, 263, 265, 268, 270, 283, 284	R262, 264, 266, 267, 269, 338	R265, 269, 338	R266, 270	C229	C278	C279	C281, 285-287, 289, 291, 292, 295, 296, 298, 299	D208, 212, 213, 215	J201
GENERAL MARKET	M		0-21		YES	NO	NO	YES	0.01	NO	NO	NO	NO	W02-2666-05
U.K.	T		2-72	220	NO	YES	NO	YES	100P	470P	100P	YES	NO	W02-2667-05
EUROPE	E		2-72	220	NO	YES	NO	YES	100P	470P	100P	YES	NO	W02-2667-05

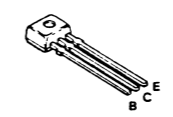
RXD-M51 (X09-612X-XX)

DESTINATION	COUNTRY	ABB.	UNIT No.	R228	R261, 263, 265, 268, 270, 283, 284	R262, 264, 266, 267, 269, 338	R265, 269, 338	R266, 270	C229	C278	C279	C281, 285-287, 289, 291, 292, 295, 296, 298, 299	D208, 212, 213, 215	J201
GENERAL MARKET	M		0-21		YES	NO	NO	YES	0.01	NO	NO	NO	NO	W02-2666-05
U.K.	T		2-72	220	NO	YES	NO	YES	100P	470P	100P	YES	NO	W02-2667-05
EUROPE	E		2-72	220	NO	YES	NO	YES	100P	470P	100P	YES	NO	W02-2667-05

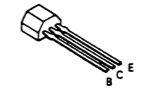
2SA1286-T11  
2SA954  
2SA992  
2SC1845  
2SC2003  
2SC2878  
2SC3940A  
2SD863



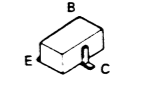
2SA1175  
2SC2785



DTA124ESA  
DTA143TSA  
DTC124ESA  
DTC143TSA  
UN4112  
UN4116  
2SA1048  
2SC1740S  
2SC2458



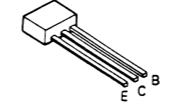
DTC143TUA  
RN1406  
RN2404  
UN5116  
UN5216



2SB1370  
2SD2061



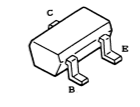
UN4212  
UN4216



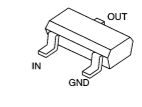
2SB1375  
2SD2012



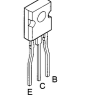
2SD1757K



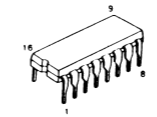
DTA143TUA



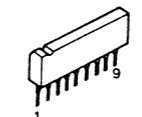
2SC4137F50



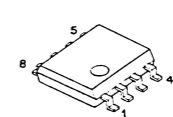
HA12136A



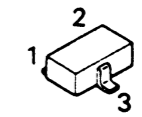
BA3126N



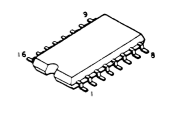
NJM4565M



DA204U



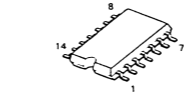
SAA6579T



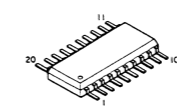
**CAUTION:** For continued safety, replace safety critical components only with manufacturer's recommended parts (refer to parts list). ⚠ indicates safety critical components. For continued protection against risk of fire, replace only with same type and rating fuse(s). To reduce the risk of electric shock, leakage-current or resistance measurements shall be carried out (exposed parts are acceptably insulated from the supply circuit) before the appliance is returned to the customer.

The DC voltage is an actual reading measured with a high impedance type voltmeter. The measurement value may vary depending on the measuring instruments used or on the product. Refer to the voltage during PLAY unless otherwise specified; The value shown in ( ) is the voltage measured at the moment of STOP.

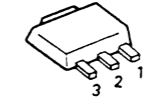
TC74HCT7007AF



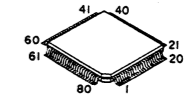
CXA1571M



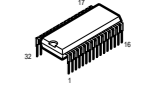
NJM431U



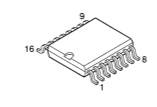
CXD2587Q



BA5979S



SAA6579T/R

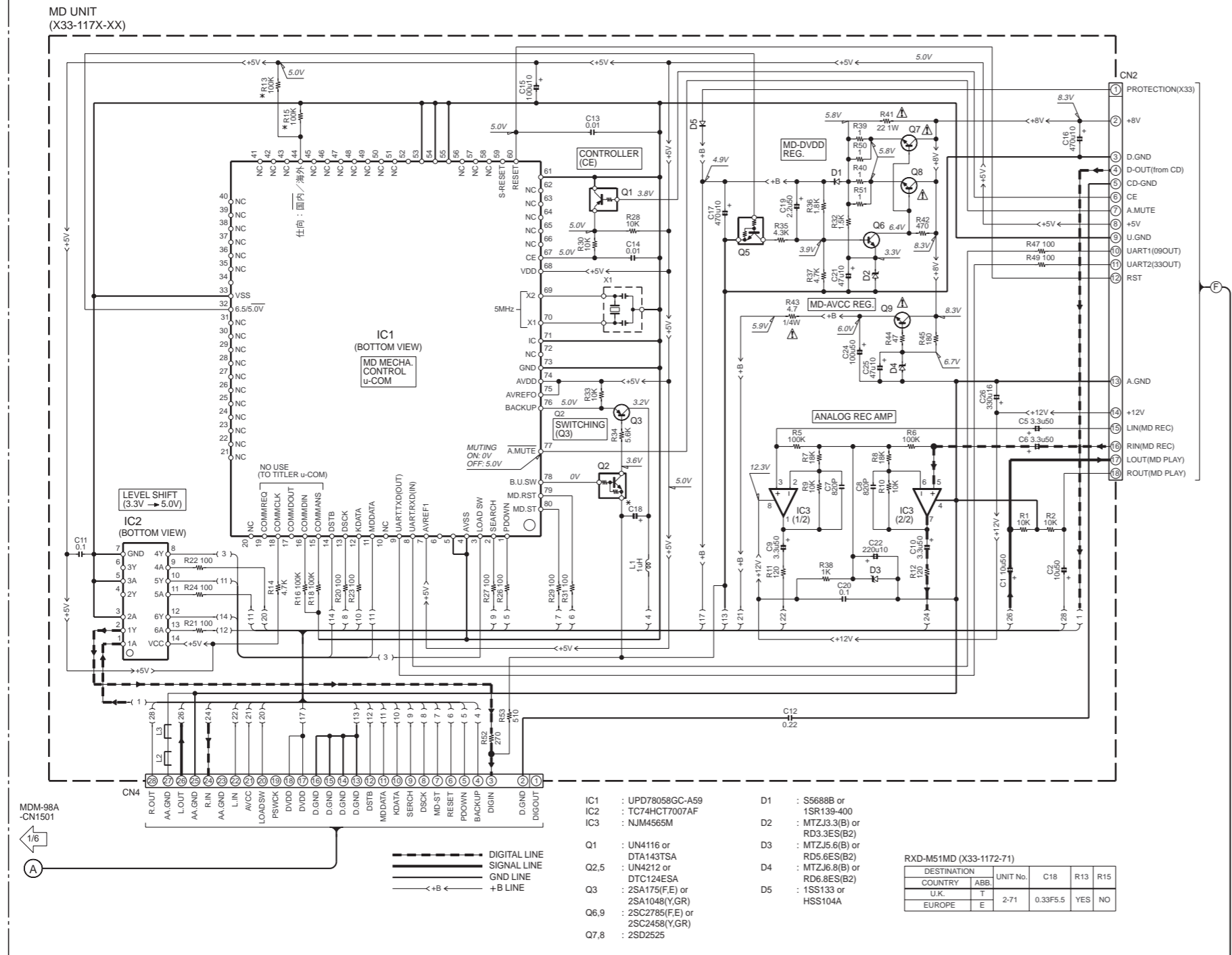


RXD-M51MD(T,E) (3/6)  
RXD-M51(M,T,E) (3/6)

Y39-2980-51

**RXD-M51/M51MD**

**KENWOOD**



MDM-98A -CN1501

(A)

X09-A/2 -1/2

(E)

X09-A/2 -1/2 -CN205

(F)

**CAUTION:** For continued safety, replace safety critical components only with manufacturer's recommended parts (refer to parts list).  $\Delta$  indicates safety critical components. For continued protection against risk of fire, replace only with same type and rating fuse(s). To reduce the risk of electric shock, leakage-current or resistance measurements shall be carried out (exposed parts are acceptably insulated from the supply circuit) before the appliance is returned to the customer.

The DC voltage is an actual reading measured with a high impedance type voltmeter. The measurement value may vary depending on the measuring instruments used or on the product. Refer to the voltage during RECORDABLE MD PLAY unless otherwise specified; The value shown in ( ) is the voltage measured at the moment of STOP. The voltage followed by (REC) refers to the value during MD RECORDING.

--- DIGITAL LINE  
 --- SIGNAL LINE  
 --- GND LINE  
 --- +B LINE  
 --- -B LINE

- IC1 : UPD78058GC-A59
- IC2 : TC74HCT7007AF
- IC3 : NJM4565M
- Q1 : UN4116 or DTA143TSA
- Q2,5 : UN4212 or DTC124ESA
- Q3 : 2SA175(F,E) or 2SA1048(Y,GR) or 2SC2785(F,E) or 2SC2458(Y,GR)
- Q6,9 : 1SS133 or HSS104A
- Q7,8 : 2SD2525

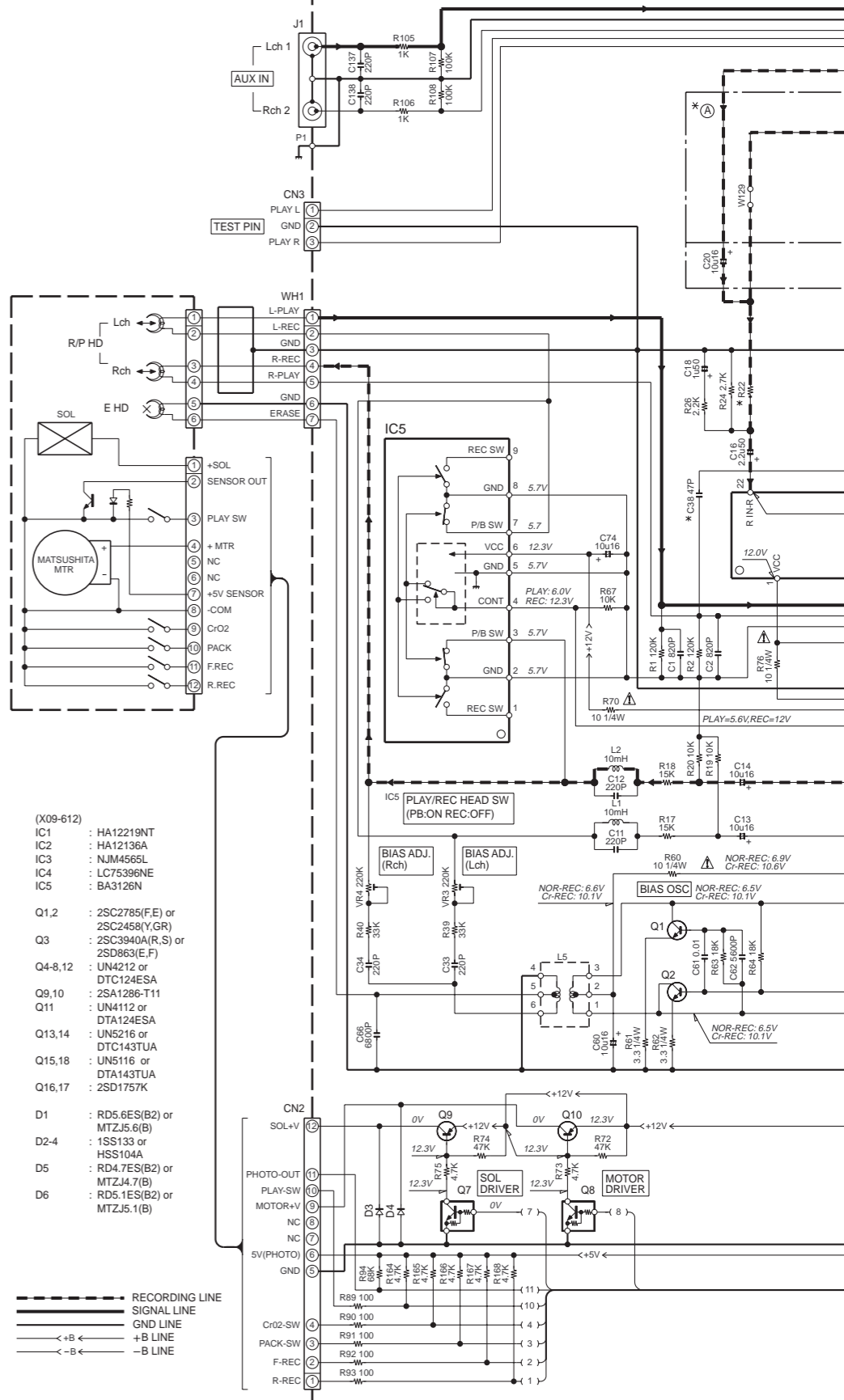
- D1 : S5688B or 1SR139-400
- D2 : MTZJ3.3(B) or RD3.3ES(B2)
- D3 : MTZJ5.6(B) or RD5.6ES(B2)
- D4 : MTZJ6.8(B) or RD6.8ES(B2)
- D5 : 1SS133 or HSS104A

RXD-M51MD (X33-1172-71)					
DESTINATION	COUNTRY	ABB.	UNIT No.	C18	R13 R15
U.K.	T		2-71	0.33F5.5	YES NO
EUROPE	E				

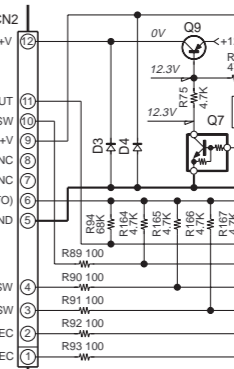
- (X09-612)
- IC1 : HA12219NT
- IC2 : HA12136A
- IC3 : NJM4565L
- IC4 : LC75396NE
- IC5 : BA3126N
- Q1,2 : 2SC2785(F,E) or 2SC2458(Y,GR)
- Q3 : 2SC3940A(R,S) or 2SD863(E,F)
- Q4-8,12 : UN4212 or DTC124ESA
- Q9,10 : 2SA1286-T11
- Q11 : UN4112 or DTA124ESA
- Q13,14 : UN5216 or DTC143TUA
- Q15,18 : UN5116 or DTA143TUA
- Q16,17 : 2SD1757K
- D1 : RD5.6ES(B2) or MTZJ5.6(B)
- D2-4 : 1SS133 or HSS104A
- D5 : RD4.7ES(B2) or MTZJ4.7(B)
- D6 : RD5.1ES(B2) or MTZJ5.1(B)

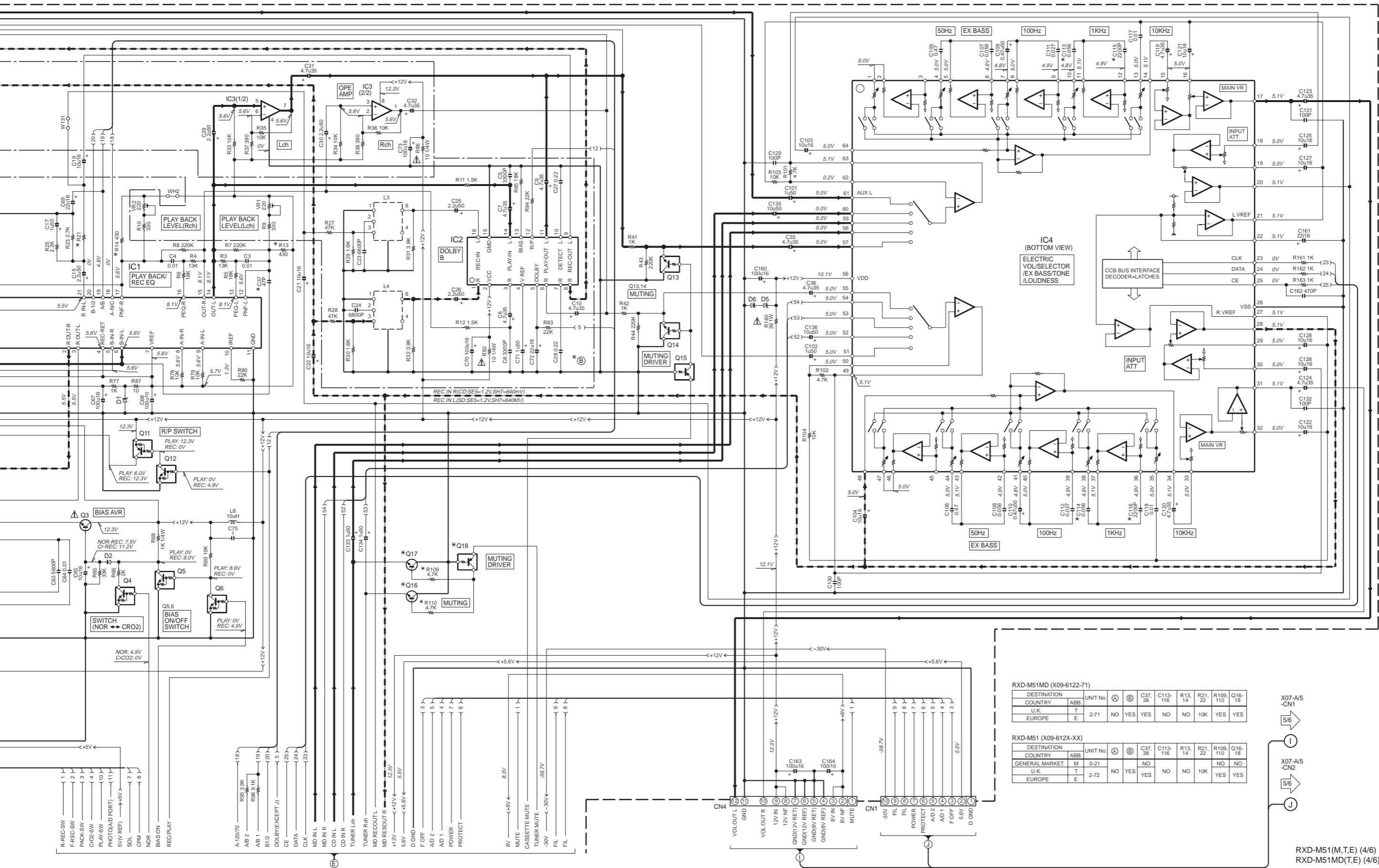
--- RECORDING LINE  
 --- SIGNAL LINE  
 --- GND LINE  
 --- +B LINE  
 --- -B LINE

AUDIO UNIT (X09-612X-XX) (A/2) (2/2)



- IC5 : PLAY/REC HEAD SW (PB.ON REC.OFF)
- IC6 : BIAS OSC
- Q1 : NOR-REC: 6.5V C1-REC: 10.1V
- Q2 : NOR-REC: 6.5V C1-REC: 10.1V





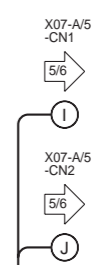
**RXD-M51MD (X09-6122-71)**

DESTINATION	COUNTRY	ABB.	UNIT No.	Ⓐ	Ⓑ	C37-38	C113-116	R13-14	R21-22	R109-110	Q16-18
U.K.	T		2-71	NO	YES	YES	NO	NO	10K	YES	YES
EUROPE	E										

**RXD-M51 (X09-612X-XX)**

DESTINATION	COUNTRY	ABB.	UNIT No.	Ⓐ	Ⓑ	C37-38	C113-116	R13-14	R21-22	R109-110	Q16-18
GENERAL MARKET	M		0-21	NO	YES	YES	NO	NO	10K	NO	NO
U.K.	T		2-72	NO	YES	YES	NO	NO	10K	YES	YES
EUROPE	E										



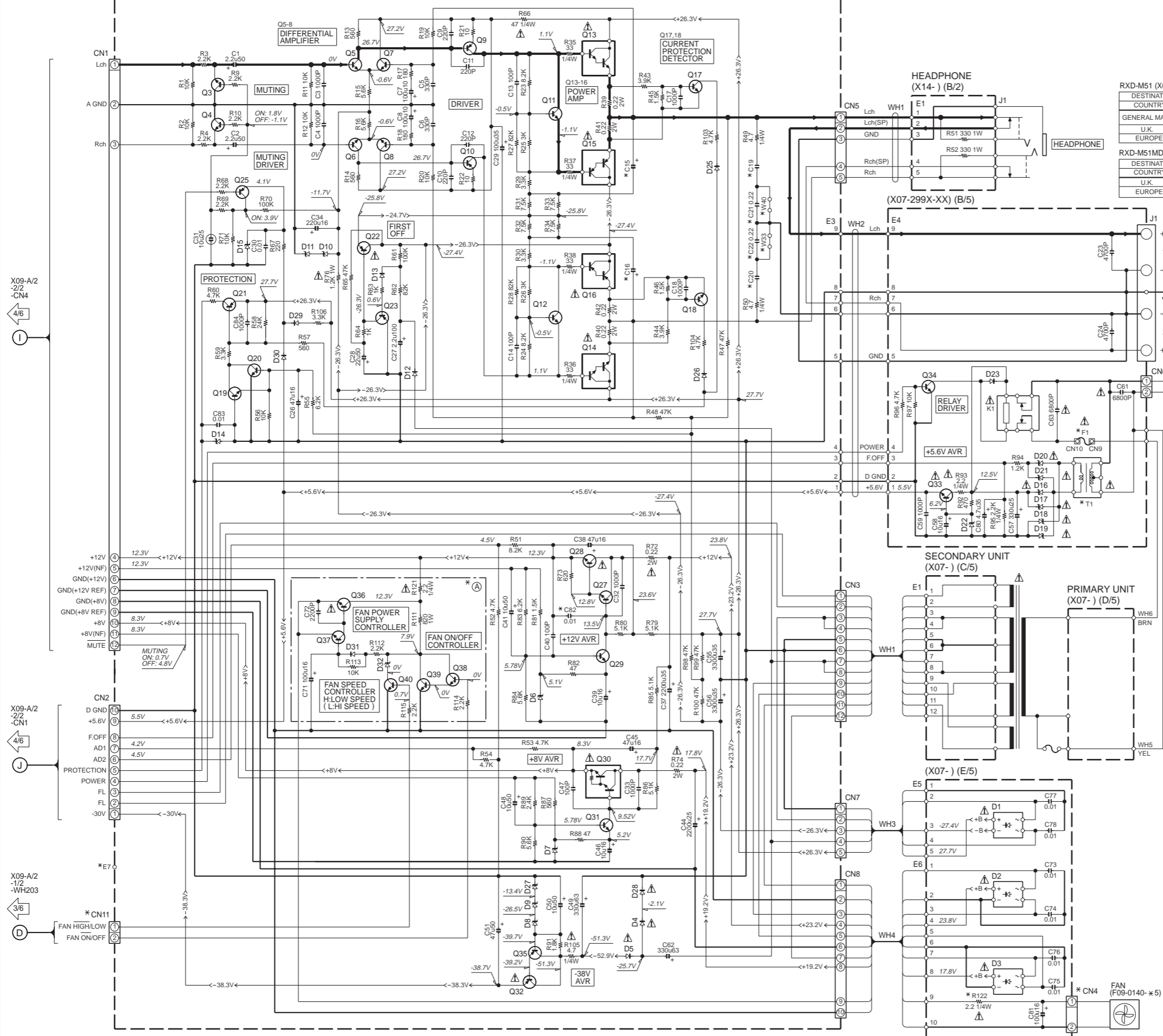
RXD-M51(M,T,E) (4/6)  
RXD-M51MD(T,E) (4/6)

# RXD-M51/M51MD

Y39-2980-51

## KENWOOD

POWER AMPLIFIER UNIT  
(X07-299X-XX) (A/5)



RXD-M51 (X07-299X-XX)											
DESTINATION COUNTRY	ABB.	UNIT No.	T1	F1	C15, 16	C19, 20	C21, 22	C81, 82	R122	CN4, 11	E7
GENERAL MARKET	M	0-21	L07-2641-05	T1.6A L 250V	22u50	0.22	YES	NO	NO	NO	NO
U.K.	T	2-72	L07-2622-05	T800mA L 250V							
EUROPE	E										

RXD-M51MD (X07-2992-71)											
DESTINATION COUNTRY	ABB.	UNIT No.	T1	F1	C15, 16	C19, 20	C21, 22	C81, 82	R122	CN4, 11	E7
U.K.	T	2-71	L07-2622-05	T800mA L 250V	22u100	0.22	YES	YES	YES	YES	YES
EUROPE	E										

— SIGNAL LINE  
— GND LINE  
— +B LINE  
— -B LINE

(M) : AC110V-120V/220-240V-50/60Hz  
(T,E) : AC230V-50Hz

- Q3,4 : 2SC2878(B)
- Q5-8,17-20 : 2SC1845(F,E)
- Q9,10,21-23 : 2SA992(F,E)
- Q11,12 : 2SC4137F50(V)
- Q13,14 : 2SD2589K
- Q15,16 : 2SB1659K
- Q25,35 : 2SA1175(F,E) or 2SA1048(Y,GR)
- Q27,29,31,37-39 : 2SC2458(Y,GR) or 2SC2785(F,E)
- Q28 : 2SD2012 or 2SD2061
- Q30 : 2SD2493 \*2
- Q32 : 2SB1370 or 2SB1375
- Q33 : 2SD2525
- Q34,40 : 2SC2003(L,K)
- Q36 : 2SB1640
- D1,3 : D3SBA20F03
- D2 : D2SBA20F03
- D4,5,12,16-19,28 : S5688B or 1SR139-400
- D6,7,14 : MTZJ5.1(B) or RD5.1ES(B2)
- D8,9,27 : MTZJ13(B) or RD13ES(B2)
- D10 : MTZJ5.6(B) or RD5.6ES(B2)
- D11,22 : MTZJ6.2(B) or RD6.2ES(B2)
- D13,20,21,23,25,26,29-31 : 1SS133 or HSS104A
- D15 : MTZJ3.9(B) or RD3.9ES(B2)
- D28 : S5688B
- D32 : MTZJ8.2(B) or RD8.2ES(B2)

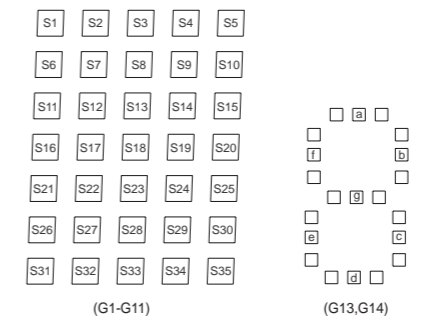
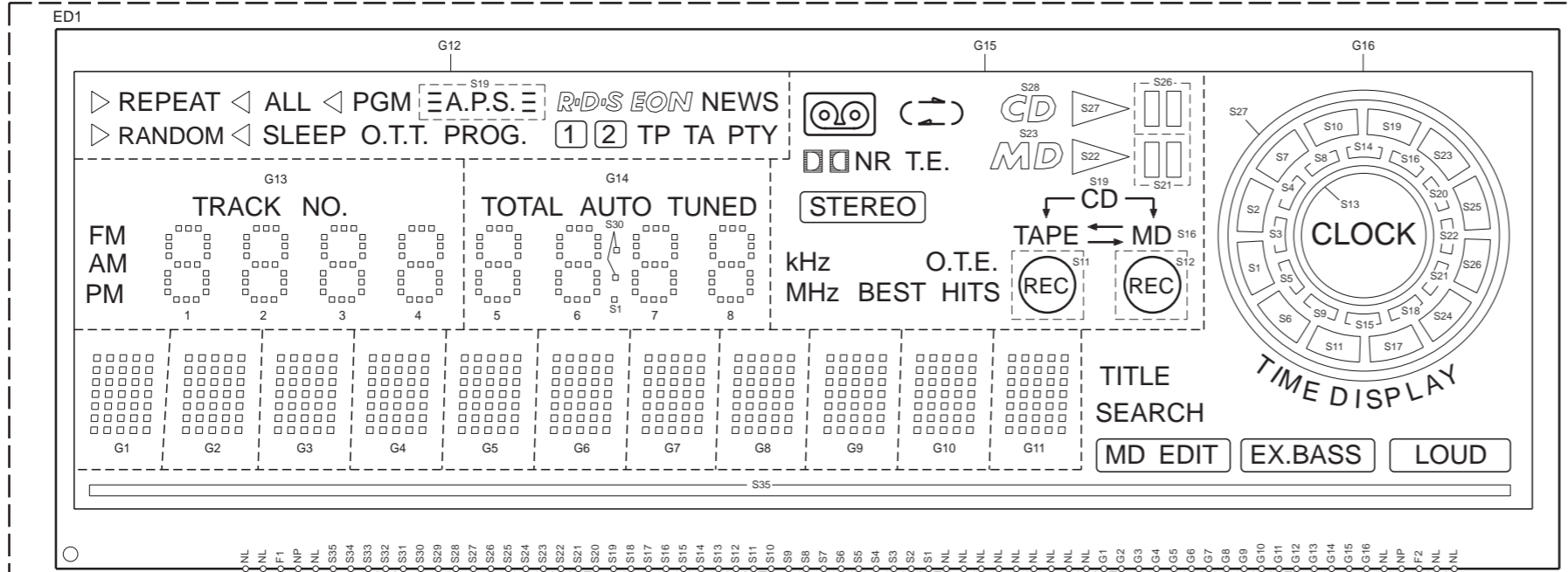
**CAUTION:** For continued safety, replace safety critical components only with manufacturer's recommended parts (refer to parts list).  $\Delta$  indicates safety critical components. For continued protection against risk of fire, replace only with same type and rating fuse(s). To reduce the risk of electric shock, leakage-current or resistance measurements shall be carried out (exposed parts are acceptably insulated from the supply circuit) before the appliance is returned to the customer.

The DC voltage is an actual reading measured with a high impedance type voltmeter with no signal input. The measurement value may vary depending on the measuring instruments used or on the product.

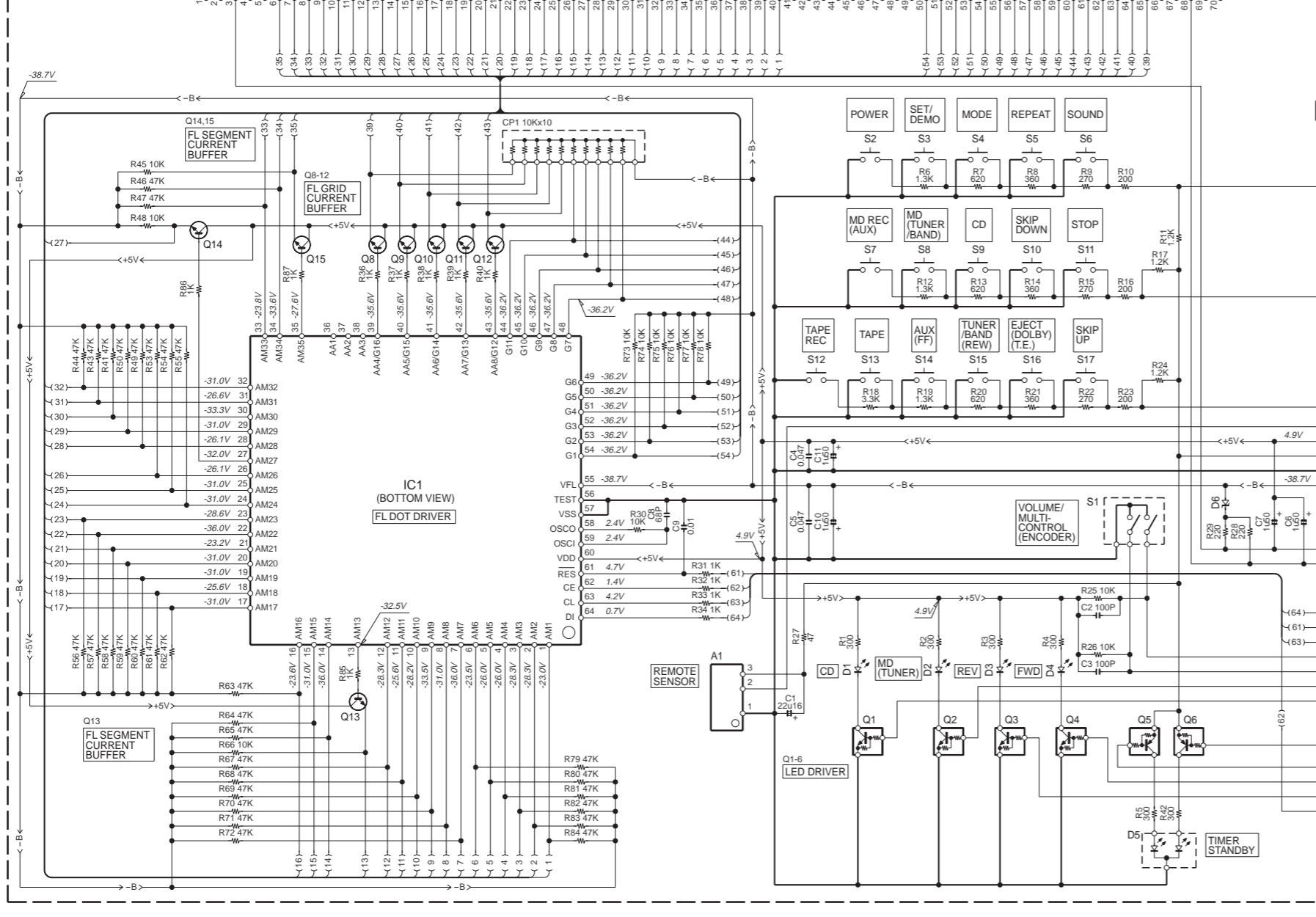
X09-A/2  
-2/2  
-CN4

X09-A/2  
-2/2  
-CN1

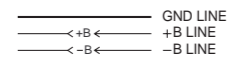
X09-A/2  
-1/2  
-WH203



G1-G11	G12	G13	G14	G15	G16
S1	S1		S1		S1
S2	S2	4d	8d		S2
S3	S3	3d	7d		S3
S4	S4	2d	6d		S4
S5	S5	1d	5d		S5
S6	S6	4c	8c	MHz	S6
S7	S7	3c	7c	BEST HITS	S7
S8	S8	2c	6c		S8
S9	S9	1c	5c	kHz	S9
S10	S10	4e	8e	O.T.E.	S10
S11	S11	3e	7e	S11	S11
S12	S12	2e	6e	S12	CLOCK
S13	S13	1e	5e		S13
S14	S14	4g	8g		S14
S15	S15	3g	7g		S15
S16	S16	2g	6g	S16	S16
S17	S17	1g	5g	STEREO	S17
S18	S18	4b	8b		S18
S19	S19	3b	7b	S19	S19
S20	S20	2b	6b		S20
S21	S21	1b	5b	S21	S21
S22	S22	4f	8f	S22	S22
S23	S23	3f	7f	S23	S23
S24	S24	2f	6f	T.E.	S24
S25	S25	1f	5f	NR	S25
S26	S26	4a	8a	S26	S26
S27	S27	3a	7a	S27	S27
S28	S28	2a	6a	S28	TIME DISPLAY
S29	S29	1a	5a		TITLE
S30	S30	TRACK NO.	S30		SEARCH
S31	S31	TP	PM	TUNED	
S32	S32	TA	AM	AUTO	LOUD
S33	S33	PTY	FM	TOTAL	EX.BASS
S34	S34				MD EDIT
S35	S35				S35



- IC1 : LC75710NED
- Q1-4 : UN4212 or DTC124ESA
- Q5,6 : UN4112 or DTA124ESA
- Q8-15 : 2SC2785(F,E) or 2SC1740S(Q,R)
- D1-4 : B30-2430-05
- D5 : B30-2522-05
- D6 : RD6.2ES(B2) or MTZJ6.2(B)



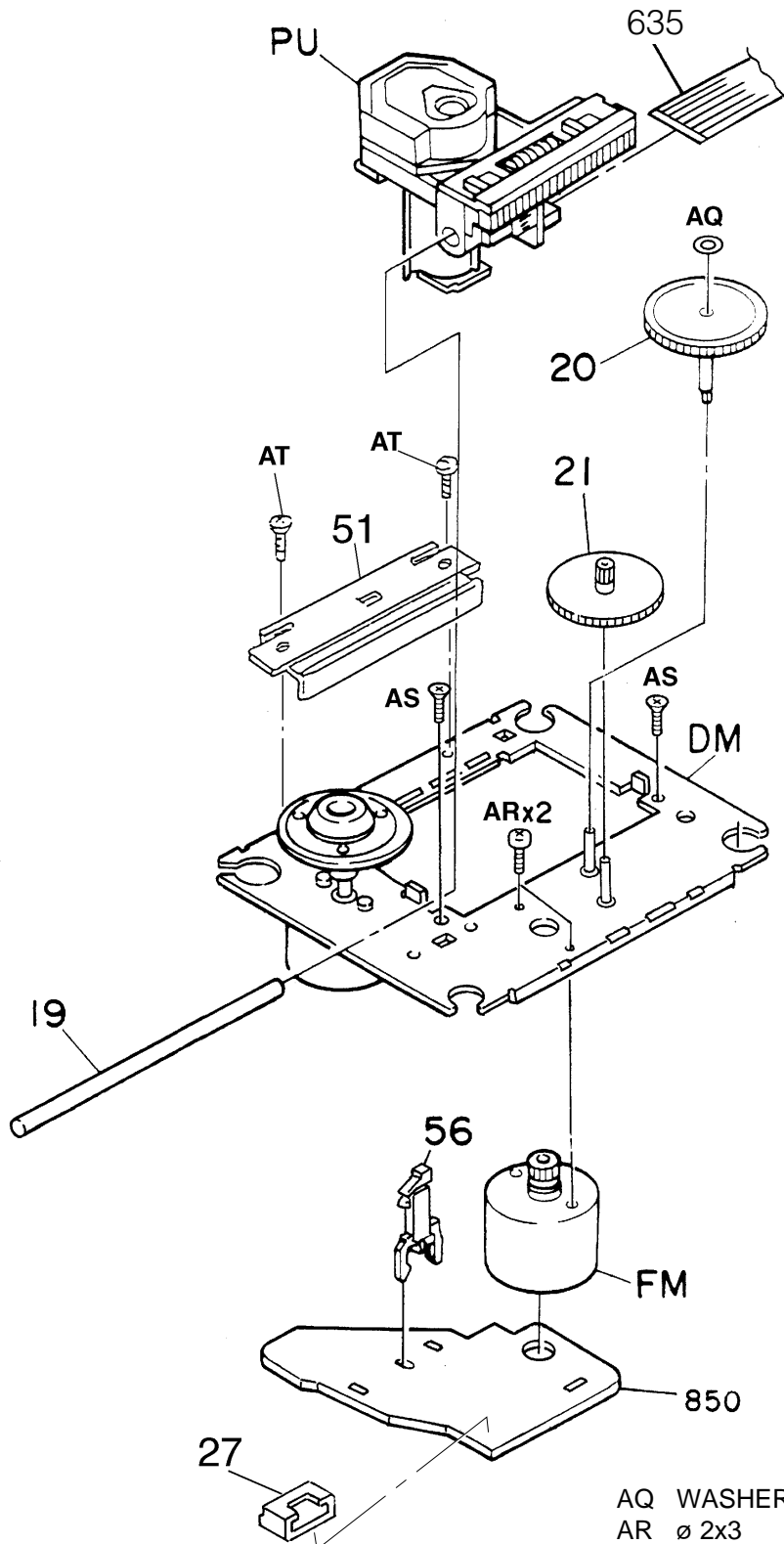
**CAUTION:** For continued safety, replace safety critical components only with manufacturer's recommended parts (refer to parts list).  $\Delta$  indicates safety critical components. For continued protection against risk of fire, replace only with same type and rating fuse(s). To reduce the risk of electric shock, leakage-current or resistance measurements shall be carried out (exposed parts are acceptably insulated from the supply circuit) before the appliance is returned to the customer.

The DC voltage is an actual reading measured with a high impedance type voltmeter with no signal input. The measurement value may vary depending on the measuring instruments used or on the product.

# RXD-M51/M51MD

# RXD-M51/M51MD

## EXPLODED VIEW (CD MECHANISM)

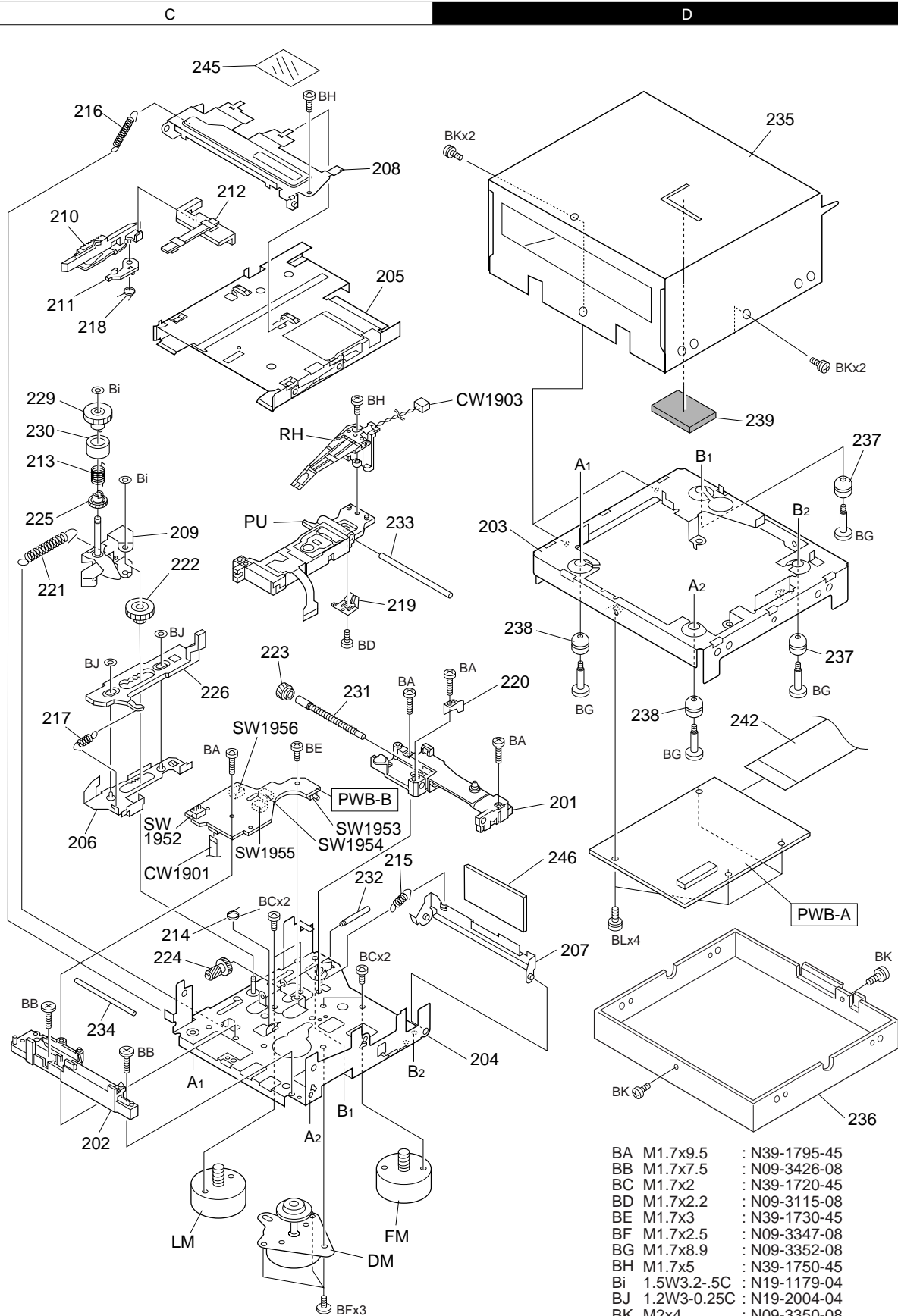


- AQ WASHER : N19-1435-05
- AR  $\varnothing$  2x3 : N30-2003-46
- AS  $\varnothing$  2.6x6 : N32-0260-46
- AT  $\varnothing$  2x5 : N86-2005-46

**KCTB3H**

# RXD-M51/M51MD

## EXPLODED VIEW (MD MECHANISM)



BA	M1.7x9.5	: N39-1795-45
BB	M1.7x7.5	: N09-3426-08
BC	M1.7x2	: N39-1720-45
BD	M1.7x2.2	: N09-3115-08
BE	M1.7x3	: N39-1730-45
BF	M1.7x2.5	: N09-3347-08
BG	M1.7x8.9	: N09-3352-08
BH	M1.7x5	: N39-1750-45
Bi	1.5W3.2-.5C	: N19-1179-04
BJ	1.2W3-0.25C	: N19-2004-04
BK	M2x4	: N09-3350-08
BL	M1.7x3	: N09-3351-08

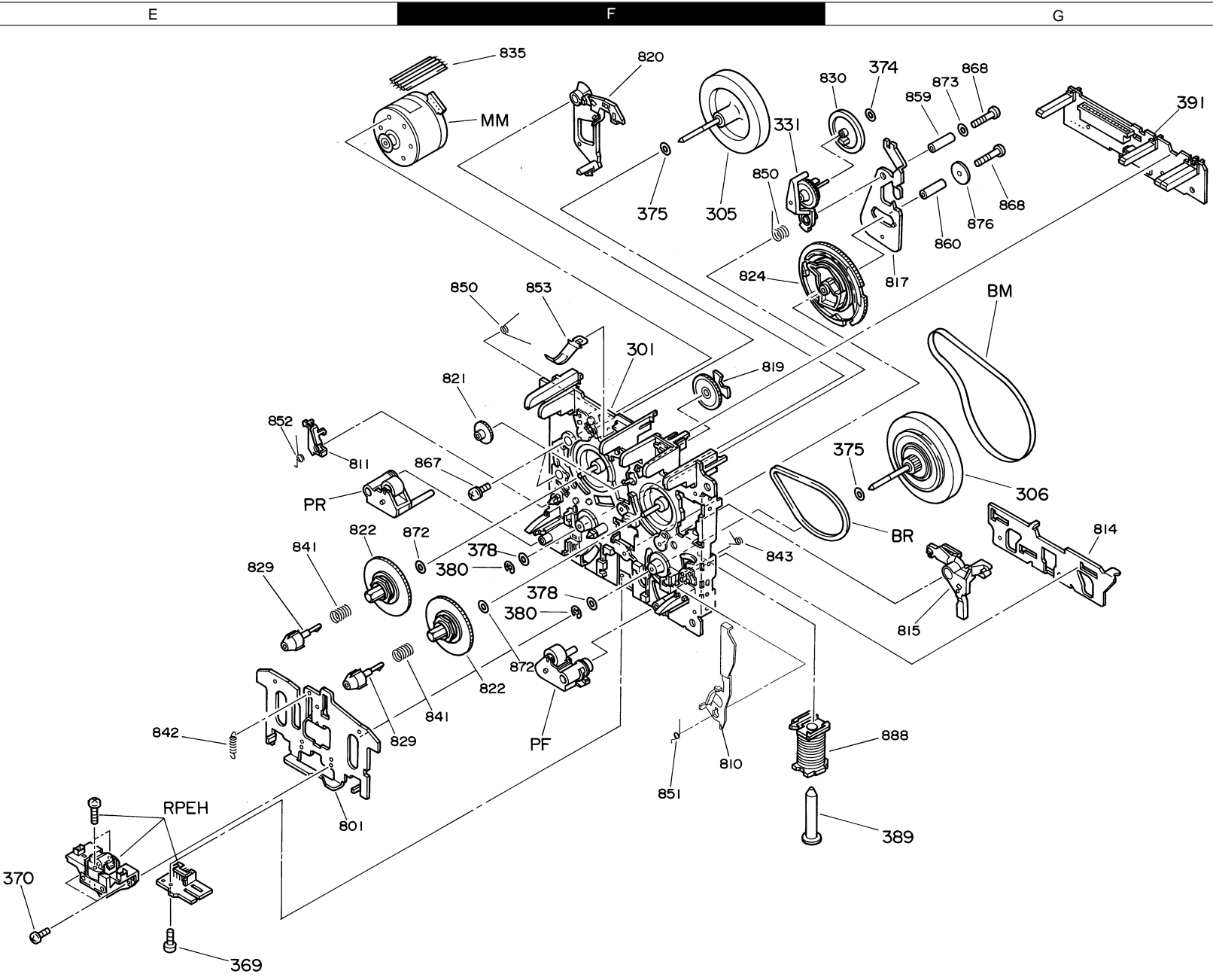
MD MECHA (MDM-98A)

Parts with the exploded numbers larger than 700 are not supplied.



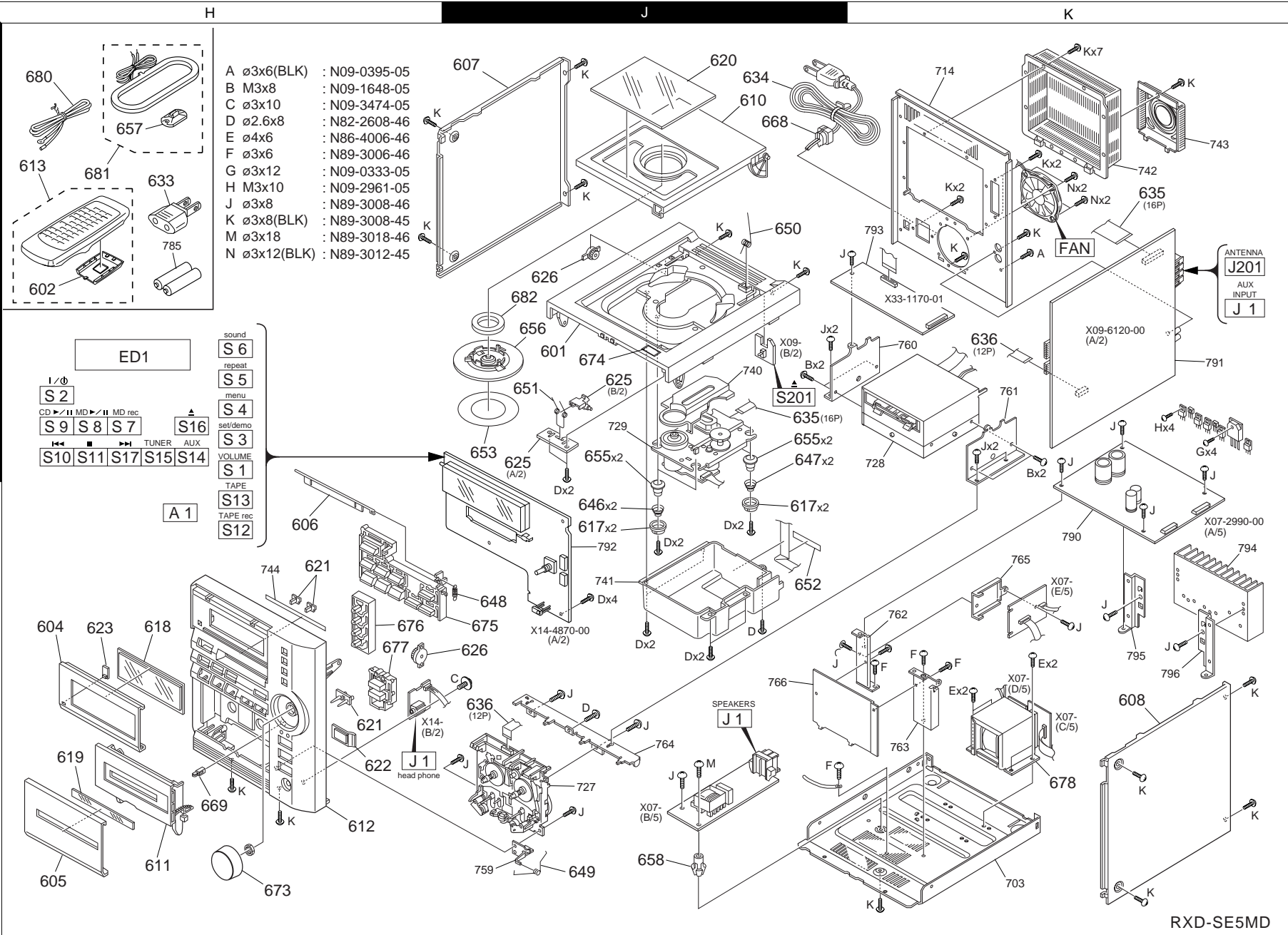
# RXD-M51/M51MD

## EXPLODED VIEW (CASSETTE DECK MECHANISM)

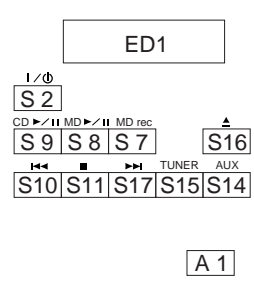


Parts with the exploded numbers larger than 700 are not supplied.

Parts with the exploded numbers larger than 700 are not supplied.



- A  $\varnothing$ 3x6(BLK) : N09-0395-05
- B M3x8 : N09-1648-05
- C  $\varnothing$ 3x10 : N09-3474-05
- D  $\varnothing$ 2.6x8 : N82-2608-46
- E  $\varnothing$ 4x6 : N86-4006-46
- F  $\varnothing$ 3x6 : N89-3006-46
- G  $\varnothing$ 3x12 : N09-0333-05
- H M3x10 : N09-2961-05
- J  $\varnothing$ 3x8 : N89-3008-46
- K  $\varnothing$ 3x8(BLK) : N89-3008-45
- M  $\varnothing$ 3x18 : N89-3018-46
- N  $\varnothing$ 3x12(BLK) : N89-3012-45



RXD-SE5MD

\* New Parts

Parts without **Parts No.** are not supplied.  
Les articles non mentionnés dans le **Parts No.** ne sont pas fournis.  
Teile ohne **Parts No.** werden nicht geliefert.

①

Ref. No	Add-ress	New Parts	Parts No.	Description	Desti-nation	Re-marks
<b>RXD-M51/M51MD</b>						
601	1J	*	A02-2828-11	PLASTIC CABINET		
602	1H	*	A09-1106-08	BATTERY COVER	T1E1	
602	1H	*	A09-1114-08	BATTERY COVER	M1T2E2	
604	2H	*	A21-3707-03	DRESSING PANEL (FL)	T1E1	
604	2H	*	A21-3708-03	DRESSING PANEL (FL)	M1	
604	2H	*	A21-3720-03	DRESSING PANEL (FL)	T2E2	
605	2H	*	A21-3721-03	DRESSING PANEL (CASSETTE)	T1E1	
605	2H	*	A21-3722-03	DRESSING PANEL (CASSETTE)	M1T2E2	
606	2H	*	A29-1022-04	PANEL (MD)	T1E1	
607	1J	*	A50-1318-02	SIDE PLATE	T1E1	
607	1J	*	A50-1324-02	SIDE PLATE	M1T2E2	
608	2K	*	A50-1319-02	SIDE PLATE		
610	1J	*	A52-0337-11	TOP COVER		
611	2H	*	A53-2072-12	CASSETTE HOLDER		
612	2H	*	A60-1496-11	PANEL	T1E1	
612	2H	*	A60-1500-12	PANEL ASSY	M1T2E2	
613	1H	*	A70-1236-05	REMOTE CONTROL ASSY (RC-M0503E)	T1E1	
613	1H	*	A70-1241-05	REMOTE CONTROL ASSY (RC-F0503)	M1	
613	1H	*	A70-1242-05	REMOTE CONTROL ASSY (RC-F0503E)	T2E2	
617	1J, 2J		B09-0255-04	CAP (CD MECHA)		
618	2H	*	B10-3418-03	FRONT GLASS (FL)		
619	2H	*	B10-3419-14	FRONT GLASS (DECK)		
620	2H	*	B10-3452-03	FRONT GLASS (CD)		
621	2H	*	B12-0351-03	INDICATOR (SELECTOR)		
622	2H	*	B12-0352-04	INDICATOR (REMOTE)		
623	2H	*	B12-0354-04	INDICATOR (STANDBY)		
-	-		B46-0310-03	WARRANTY CARD	E2	
-	-		B46-0310-03	WARRANTY CARD	T1E1T2	
-	-	*	B58-0965-13	CAUTION CARD (PL)	T1T2	
-	-		B58-0966-13	CAUTION CARD (PL)	E1M1E2	
-	-	*	B60-4004-00	INSTRUCTION MANUAL(EN)	T1	
-	-	*	B60-4006-00	INSTRUCTION MANUAL(EN)	M1T2	
-	-	*	B60-4007-00	INSTRUCTION MANUAL(TC)	M1	
-	-	*	B60-4063-00	INSTRUCTION MANUAL(FR)	E1	
-	-	*	B60-4064-00	INSTRUCTION MANUAL(GE)	E1	
-	-	*	B60-4065-00	INSTRUCTION MANUAL(NE)	E1	
-	-	*	B60-4066-00	INSTRUCTION MANUAL(IT)	E1	
-	-	*	B60-4067-00	INSTRUCTION MANUAL(ES)	E1	
-	-	*	B60-4068-00	INSTRUCTION MANUAL(FR)	E2	
-	-	*	B60-4069-00	INSTRUCTION MANUAL(GE)	E2	
-	-	*	B60-4070-00	INSTRUCTION MANUAL(NE)	E2	
-	-	*	B60-4071-00	INSTRUCTION MANUAL(IT)	E2	
-	-	*	B60-4072-00	INSTRUCTION MANUAL(ES)	E2	
625	1J	*	D10-3810-14	LEVER (CD)		
626	2J		D39-0333-05	DAMPER		
△ 633	1H		E03-0115-05	AC PLUG ADAPTER	M1	
△ 634	1J		E30-2788-05	AC POWER CORD	E1M1E2	
△ 634	1J		E30-2791-05	AC POWER CORD	T1T2	
635	1J, 1K	*	E35-2200-05	FLAT CABLE CD,16P		
636	1K, 2J	*	E35-2202-05	FLAT CABLE DECK,12P		
FAN	1K	*	F09-0141-05	FAN	T1E1	

L: Scandinavia K: USA P: Canada R: Mexico C: China I: Malaysia  
Y: PX(Far East, Hawaii) T: Europe E: Europe G: Germany V: China(Shanghai)  
Y: AAFES(Europe) X: Australia Q: Russia H: Korea M: Other Areas △ indicates safety critical components.

\* New Parts

Parts without **Parts No.** are not supplied.  
Les articles non mentionnés dans le **Parts No.** ne sont pas fournis.  
Teile ohne **Parts No.** werden nicht geliefert.

②

Ref. No	Add-ress	New Parts	Parts No.	Description	Desti-nation	Re-marks
646	1J		G01-3753-04	COMPRESSION SPRING,CD/Front		
647	1J		G01-3754-04	COMPRESSION SPRING,CD/REAR		
648	2J		G01-4030-14	EXTENSION SPRING,MD	T1E1	
649	2J		G01-4031-14	TORSION COIL SPRING,DECK		
650	2J	*	G01-4071-04	TORSION COIL SPRING,CD		
651	1J	*	G01-4074-04	TORSION COIL SPRING,OPEN		
652	2J		G11-2400-04	SOFT TAPE CD		
653	1J		G16-0913-04	SHEET CD		
-	-	*	H10-7509-02	POLYSTYRENE FOAMED FIXTURE		
-	-	*	H10-7510-12	POLYSTYRENE FOAMED FIXTURE		
-	-	*	H25-1595-04	PROTECTION BAG	T1T2	
-	-	*	H25-1642-04	PROTECTION BAG	E1M1E2	
-	-	*	H25-1644-04	PROTECTION BAG	E1E2	
-	-	*	H25-1645-04	PROTECTION BAG	M1	
-	-	*	H25-1646-04	PROTECTION BAG	T1T2	
-	-	*	H50-3097-14	ITEM CARTON CASE	T1E1	
-	-	*	H50-3100-04	ITEM CARTON CASE	M1	
-	-	*	H50-3101-04	ITEM CARTON CASE	T2E2	
655	1J		J02-1121-04	INSULATOR		
656	1J	*	J11-0837-03	CLAMPER		
657	1H		J19-3645-05	ANTENNA STAND		
658	2J		J19-3732-04	UNIT HOLDER		
△ 668	1J		J42-0083-05	POWER CORD BUSHING		
669	2H		J52-0039-05	PUSH LATCH		
-	-		J61-0098-05	WIRE BAND		
673	2H	*	K29-6358-14	KNOB VOLUME	T1E1	
673	2H	*	K29-7398-04	KNOB VOLUME	M1T2E2	
674	1J	*	K29-7391-04	KNOB OPEN		
675	2J	*	K29-7392-02	KNOB SELECTOR	T1E1	
675	2J	*	K29-7402-02	KNOB SELECTOR	M1T2E2	
676	2H	*	K29-7393-03	KNOB SOUND		
677	2H	*	K29-7394-03	KNOB DECK		
△ 678	2K	*	L07-2610-05	POWER TRANSFORMER	T1E1	
△ 678	2K	*	L07-2627-05	POWER TRANSFORMER	M1	
△ 678	2K	*	L07-2628-05	POWER TRANSFORMER	T2E2	
680	1H		T90-0801-05	LEAD WIRE ANTENNA	M1	
680	1H		T90-0810-05	LEAD WIRE ANTENNA	E2	
680	1H		T90-0810-05	LEAD WIRE ANTENNA	T1E1T2	
681	1H		T90-0833-05	LOOP ANTENNA		
682	1J		T99-0544-15	MAGNET		
<b>POWER AMPLIFIER UNIT (X07-299X-XX)</b>						
C1, 2			CE04KW1H2R2M	ELECTRO	2.2UF	50WV
C3, 4			CQ93FMG1H102J	MYLAR	1000PF	J
C5, 6			CC45FSL1H331J	CERAMIC	330PF	J
C7, 8			CE04KW1A101M	ELECTRO	100UF	10WV
C9-12			CC45FSL1H221J	CERAMIC	220PF	J
C13, 14			CC45FSL1H101J	CERAMIC	100PF	J
C15, 16			CE04KW1H220M	ELECTRO	22UF	50WV
C15, 16			CE04KW2A220M	ELECTRO	22UF	100WV
C17, 18			CQ93FMG1H102J	MYLAR	1000PF	J
C19-22			CF92FV1H224J	MF-C	0.22UF	J
C23, 24			CQ93FMG1H472J	MYLAR	4700PF	J
C26			CE04KW1C470M	ELECTRO	47UF	16WV

L: Scandinavia K: USA P: Canada R: Mexico C: China I: Malaysia  
Y: PX(Far East, Hawaii) T: Europe E: Europe G: Germany V: China(Shanghai)  
Y: AAFES(Europe) X: Australia Q: Russia H: Korea M: Other Areas △ indicates safety critical components.

PARTS LIST RXD-M51/M51MD

## \* New Parts

Parts without **Parts No.** are not supplied.Les articles non mentionnés dans le **Parts No.** ne sont pas fournis.Teile ohne **Parts No.** werden nicht geliefert.

③

Ref. No	Add-ress	New Parts	Parts No.	Description	Desti-nation	Re-marks
C27			CE04KW2A2R2M	ELECTRO 2.2UF 100WV		
C28			CE04KW1H220M	ELECTRO 22UF 50WV		
C29			CE04KW1V101M	ELECTRO 100UF 35WV		
C30			CK45FF1H103Z	CERAMIC 0.010UF Z		
C31			CE04HW1E100M	NP-ELEC 10UF 25WV		
C32, 33			CK45FB1H102K	CERAMIC 1000PF K		
C34			CE04KW1C221M	ELECTRO 220UF 16WV		
C37			CE04KW1V222M	ELECTRO 2200UF 35WV		
C38			CE04KW1C470M	ELECTRO 47UF 16WV		
C39			CE04KW1C100M	ELECTRO 10UF 16WV		
C40			CC45FSL1H101J	CERAMIC 100PF J		
C41			CE04KW1H100M	ELECTRO 10UF 50WV		
C44			CE04KW1E222M	ELECTRO 2200UF 25WV		
C45			CE04KW1C470M	ELECTRO 47UF 16WV		
C46			CE04KW1C100M	ELECTRO 10UF 16WV		
C47			CC45FSL1H101J	CERAMIC 100PF J		
C48			CE04KW1H100M	ELECTRO 10UF 50WV		
C49			CE04KW1J331M	ELECTRO 330UF 63WV		
C50			CE04KW1H100M	ELECTRO 10UF 50WV		
C51			CE04KW1H470M	ELECTRO 47UF 50WV		
C55, 56			C90-3814-05	ELECTRO 3300UF 35WV		
C57			CE04DW1E331M	ELECTRO 330UF 25WV		
C58			CE04KW1C100M	ELECTRO 10UF 16WV		
C59			CK45FB1H102K	CERAMIC 1000PF K		
C60			CE04KW1V4R7M	ELECTRO 4.7UF 35WV		
△ C61			C91-1488-05	MF 6800PF 250VAC		
C62			CE04KW1J331M	ELECTRO 330UF 63WV		
△ C63			C91-1488-05	MF 6800PF 250VAC		
C71			CE04KW1C101M	ELECTRO 100UF 16WV	T1E1	
C72			CK45FB1H222K	CERAMIC 2200PF K	T1E1	
C73-78			CK45FF1H103Z	CERAMIC 0.010UF Z		
C81			CE04KW1C101M	ELECTRO 100UF 16WV	T1E1	
C82			CK45FF1H103Z	CERAMIC 0.010UF Z	T1E1	
C83			CQ93FMG1H103J	MYLAR 0.010UF J		
C84			CQ93FMG1H102J	MYLAR 1000PF J		
CN1		*	E40-8347-05	PIN ASSY		
CN2		*	E40-8346-05	PIN ASSY		
CN3			E40-4254-05	FLAT CABLE CONNECTOR		
CN4			E40-3260-05	PIN ASSY	T1E1	
CN5			E40-3249-05	PIN ASSY		
CN6			E40-8126-05	PIN ASSY		
CN7			E40-4295-05	FLAT CABLE CONNECTOR		
CN8			E40-4284-05	FLAT CABLE CONNECTOR		
CN11			E40-3246-05	PIN ASSY	T1E1	
J1			E70-0053-05	LOCK TERMINAL BOARD		
△ F1			F05-1623-05	FUSE (SEMKO) (250V T1.6AL)	M1	
△ F1			F05-8013-05	FUSE (SEMKO) (250V T800MAL)	E2	
△ F1			F05-8013-05	FUSE (SEMKO) (250V T800MAL)	T1E1T2	
CN9, 10			J13-0075-05	FUSE CLIP		
E7			J11-0809-05	WIRE CLAMPER		
△ T1		*	L07-2622-05	POWER TRANSFORMER	E2	
△ T1		*	L07-2622-05	POWER TRANSFORMER	T1E1T2	
△ T1		*	L07-2641-05	POWER TRANSFORMER	M1	

L : Scandinavia K : USA P : Canada R : Mexico C : China I : Malaysia

Y : PX(Far East, Hawaii) T : Europe E : Europe G : Germany V : China(Shanghai)

Y : AAFES(Europe) X : Australia Q : Russia H : Korea M : Other Areas △ indicates safety critical components.

## \* New Parts

Parts without **Parts No.** are not supplied.Les articles non mentionnés dans le **Parts No.** ne sont pas fournis.Teile ohne **Parts No.** werden nicht geliefert.

④

Ref. No	Add-ress	New Parts	Parts No.	Description	Desti-nation	Re-marks
R35-38			RD14NB2E330J	RD 33 J 1/4W		
R39-42			RS14KB3DR22J	FL-PROOF RS 0.22 J 2W		
R49, 50			RD14NB2E4R7J	RD 4.7 J 1/4W		
△ R66			RD14NB2E470J	RD 47 J 1/4W		
△ R72			RS14KB3DR22J	FL-PROOF RS 0.22 J 2W		
△ R74			RS14KB3DR22J	FL-PROOF RS 0.22 J 2W		
△ R76			RS14KB3A122J	FL-PROOF RS 1.2K J 1W		
△ R93			RD14NB2E2R2J	RD 2.2 J 1/4W		
△ R95			RD14NB2E222J	RD 2.2K J 1/4W		
△ R105			RD14NB2E4R7J	RD 4.7 J 1/4W		
R111			RS14KB3A821J	FL-PROOF RS 820 J 1W	T1E1	
△ R121, 122			RD14NB2E2R2J	RD 2.2 J 1/4W	T1E1	
△ K1		*	S76-0089-05	MAGNETIC RELAY		
△ D1			D3SBA20F03	DIODE		
△ D2			D2SBA20F03	DIODE		
△ D3			D3SBA20F03	DIODE		
△ D4, 5			S5688B	DIODE		
△ D4, 5			1SR139-400	DIODE		
D6, 7			MTZJ5.1(B)	ZENER DIODE		
D6, 7			RD5.1ES(B2)	ZENER DIODE		
D8, 9			MTZJ13(B)	ZENER DIODE		
D8, 9			RD13ES(B2)	ZENER DIODE		
D10			MTZJ5.6(B)	ZENER DIODE		
D10			RD5.6ES(B2)	ZENER DIODE		
D11			MTZJ6.2(B)	ZENER DIODE		
D11			RD6.2ES(B2)	ZENER DIODE		
D12			S5688B	DIODE		
D12			1SR139-400	DIODE		
D13			HSS104A	DIODE		
D13			1SS133	DIODE		
D14			MTZJ5.1(B)	ZENER DIODE		
D14			RD5.1ES(B2)	ZENER DIODE		
D15			MTZJ3.9(B)	ZENER DIODE		
D15			RD3.9ES(B2)	ZENER DIODE		
△ D16-19			S5688B	DIODE		
△ D16-19			1SR139-400	DIODE		
△ D20, 21			HSS104A	DIODE		
△ D20, 21			1SS133	DIODE		
D22			MTZJ6.2(B)	ZENER DIODE		
D22			RD6.2ES(B2)	ZENER DIODE		
D23			HSS104A	DIODE		
D23			1SS133	DIODE		
D25, 26			HSS104A	DIODE		
D25, 26			1SS133	DIODE		
D27			MTZJ13(B)	ZENER DIODE		
D27			RD13ES(B2)	ZENER DIODE		
△ D28			S5688B	DIODE		
D29, 30			HSS104A	DIODE		
D29, 30			1SS133	DIODE		
D31			HSS104A	DIODE		T1E1
D31			1SS133	DIODE		T1E1
D32			MTZJ8.2(B)	ZENER DIODE		T1E1
D32			RD8.2ES(B2)	ZENER DIODE		T1E1

L : Scandinavia K : USA P : Canada R : Mexico C : China I : Malaysia

Y : PX(Far East, Hawaii) T : Europe E : Europe G : Germany V : China(Shanghai)

Y : AAFES(Europe) X : Australia Q : Russia H : Korea M : Other Areas △ indicates safety critical components.

## PARTS LIST

## RXD-M51/M51MD

\* New Parts

Parts without **Parts No.** are not supplied.  
Les articles non mentionnés dans le **Parts No.** ne sont pas fournis.  
Teile ohne **Parts No.** werden nicht geliefert.

5

Ref. No	Add-ress	New Parts	Parts No.	Description	Desti-nation	Re-marks
Q3, 4			2SC2878(B)	TRANSISTOR		
Q5-8			2SC1845(F,E)	TRANSISTOR		
Q9, 10			2SA992(F,E)	TRANSISTOR		
Q11, 12			2SC4137F50(V)	TRANSISTOR		
Q13, 14			2SD2589K	TRANSISTOR		
Q15, 16			2SB1659K	TRANSISTOR		
Q17-20			2SC1845(F,E)	TRANSISTOR		
Q21-23			2SA992(F,E)	TRANSISTOR		
Q25			2SA1048(Y,GR)	TRANSISTOR		
Q25			2SA1175(F,E)	TRANSISTOR		
Q27			2SC2458(Y,GR)	TRANSISTOR		
Q27			2SC2785(F,E)	TRANSISTOR		
Q28			2SD2012	TRANSISTOR		
Q28			2SD2061	TRANSISTOR		
Q29			2SC2458(Y,GR)	TRANSISTOR		
Q29			2SC2785(F,E)	TRANSISTOR		
Q30			2SD2493*2	TRANSISTOR		
Q31			2SC2458(Y,GR)	TRANSISTOR		
Q31			2SC2785(F,E)	TRANSISTOR		
Q32			2SB1370	TRANSISTOR		
Q32			2SB1375	TRANSISTOR		
Q33			2SD2525	TRANSISTOR		
Q34			2SC2003(L,K)	TRANSISTOR		
Q35			2SA1048(Y,GR)	TRANSISTOR		
Q35			2SA1175(F,E)	TRANSISTOR		
Q36			2SB1640	TRANSISTOR	T1E1	
Q37-39			2SC2458(Y,GR)	TRANSISTOR	T1E1	
Q37-39			2SC2785(F,E)	TRANSISTOR	T1E1	
Q40			2SC2003(L,K)	TRANSISTOR	T1E1	
<b>AUDIO UNIT (X09-612X-XX)</b>						
C1, 2			CK73FB1H821K	CHIP C	820PF	K
C3, 4			CQ93FMG1H103J	MYLAR	0.010UF	J
C5, 6			CQ93FMG1H332J	MYLAR	3300PF	J
C7-10			CE04KW1V4R7M	ELECTRO	4.7UF	35WV
C11, 12			CC45FSL1H221J	CERAMIC	220PF	J
C13, 14			CE04KW1C100M	ELECTRO	10UF	16WV
C15, 16			CE04KW1H2R2M	ELECTRO	2.2UF	50WV
C17, 18			CE04KW1H010M	ELECTRO	1.0UF	50WV
C19-22			CE04KW1C100M	ELECTRO	10UF	16WV
C23, 24			CK73FB1H682K	CHIP C	6800PF	K
C25, 26			CE04KW1H2R2M	ELECTRO	2.2UF	50WV
C27, 28			CQ93FMG1H224J	MYLAR	0.22UF	J
C33, 34			CC45FSL1H221J	CERAMIC	220PF	J
C35, 36			CE04KW1V4R7M	ELECTRO	4.7UF	35WV
C37, 38			CC73FSL1H470J	CHIP C	47PF	J
C37, 38			CC73FSL1H470J	CHIP C	47PF	J
C60			CE04KW1C100M	ELECTRO	10UF	16WV
C61			CQ93FMG1H103J	MYLAR	0.010UF	J
C62, 63			CQ93FMG1H562J	MYLAR	5600PF	J
C64			CQ93FMG1H103J	MYLAR	0.010UF	J
C65			CE04KW1C100M	ELECTRO	10UF	16WV
C66			CQ93HP2A682J	MYLAR	6800PF	J
C67			CE04KW1C101M	ELECTRO	100UF	16WV
C68			CE04KW1A101M	ELECTRO	100UF	10WV
C69			CE04KW1C220M	ELECTRO	22UF	16WV

L : Scandinavia K : USA P : Canada R : Mexico C : China I : Malaysia  
Y : PX(Far East, Hawaii) T : Europe E : Europe G : Germany V : China(Shanghai)  
Y : AAFES(Europe) X : Australia Q : Russia H : Korea M : Other Areas  $\Delta$  indicates safety critical components.

\* New Parts

Parts without **Parts No.** are not supplied.  
Les articles non mentionnés dans le **Parts No.** ne sont pas fournis.  
Teile ohne **Parts No.** werden nicht geliefert.

5

Ref. No	Add-ress	New Parts	Parts No.	Description	Desti-nation	Re-marks
C70			CE04KW1C101M	ELECTRO	100UF	16WV
C71			CE04KW1H010M	ELECTRO	1.0UF	50WV
C72			CE04KW1C220M	ELECTRO	22UF	16WV
C74			CE04KW1C100M	ELECTRO	10UF	16WV
C75			CK73FF1C105Z	CHIP C	1.0UF	Z
C101, 102			CE04KW1H010M	ELECTRO	1.0UF	50WV
C103, 104			CE04KW1C100M	ELECTRO	10UF	16WV
C105, 106			CK73FF1C474Z	CHIP C	0.47UF	Z
C107, 108			CK73FB1E563K	CHIP C	0.056UF	K
C109, 110			CE04KW1HR47M	ELECTRO	0.47UF	50WV
C111, 112			CK73FB1E273K	CHIP C	0.027UF	K
C117, 118			CK73FB1H103K	CHIP C	0.010UF	K
C119, 120			CE04KW1V4R7M	ELECTRO	4.7UF	35WV
C121, 122			CE04KW1C100M	ELECTRO	10UF	16WV
C123, 124			CE04KW1V4R7M	ELECTRO	4.7UF	35WV
C125-128			CE04KW1C100M	ELECTRO	10UF	16WV
C129-132			CC73FSL1H101J	CHIP C	100PF	J
C133, 134			CE04KW1H010M	ELECTRO	1.0UF	50WV
C135, 136			CE04KW1H100M	ELECTRO	10UF	50WV
C137, 138			CK73FB1H221K	CHIP C	220PF	K
C160			CE04KW1C101M	ELECTRO	100UF	16WV
C161			CE04KW1C220M	ELECTRO	22UF	16WV
C162			CK73FB1H471K	CHIP C	470PF	K
C163			CE04KW1C101M	ELECTRO	100UF	16WV
C164			CE04KW1A101M	ELECTRO	100UF	10WV
C201, 202			CQ93FMG1H102J	MYLAR	1000PF	J
C203, 204			CK73FB1H271K	CHIP C	270PF	K
C205, 206			CE04KW1H100M	ELECTRO	10UF	50WV
C207			CK73FB1C104K	CHIP C	0.10UF	K
C208			CK73FB1H103K	CHIP C	0.010UF	K
C209			CK73FB1H152K	CHIP C	1500PF	K
C210			CC73FCH1H330J	CHIP C	33PF	J
C210			CC73FCH1H330J	CHIP C	33PF	J
C211			CQ93FMG1H102J	MYLAR	1000PF	J
C212			CE04KW1A470M	ELECTRO	47UF	10WV
C214			CC73FCH1H101J	CHIP C	100PF	J
C215			CE04KW1A101M	ELECTRO	100UF	10WV
C216			CK73FF1C474Z	CHIP C	0.47UF	Z
C217			CK73FB1H103K	CHIP C	0.010UF	K
C218			CK73FB1E473KTA	CHIP C	0.047UF	K
C219			CK73FB1H221K	CHIP C	220PF	K
C220			CE04KW1A101M	ELECTRO	100UF	10WV
C221			CK73FB1H332K	CHIP C	3300PF	K
C222			CK73FB1H223KTA	CHIP C	0.022UF	K
C223			CE04KW1A101M	ELECTRO	100UF	10WV
C224			CE04KW1C221M	ELECTRO	220UF	16WV
C225			CK73FB1H221K	CHIP C	220PF	K
C226			CC73FCH1H470J	CHIP C	47PF	J
C227			CC73FCH1H680J	CHIP C	68PF	J
C228			CC73FCH1H470J	CHIP C	47PF	J
C229			CC73FSL1H101J	CHIP C	100PF	J
C229			CC73FSL1H101J	CHIP C	100PF	J
C229			CK73FB1H103K	CHIP C	0.010UF	K
C231			CK73FB1H333K	CHIP C	0.033UF	K
C232			CC73FCH1H390J	CHIP C	39PF	J

L : Scandinavia K : USA P : Canada R : Mexico C : China I : Malaysia  
Y : PX(Far East, Hawaii) T : Europe E : Europe G : Germany V : China(Shanghai)  
Y : AAFES(Europe) X : Australia Q : Russia H : Korea M : Other Areas  $\Delta$  indicates safety critical components.

PARTS LIST

RXD-M51/M51MD

\* New Parts

Parts without **Parts No.** are not supplied.Les articles non mentionnés dans le **Parts No.** ne sont pas fournis.Teile ohne **Parts No.** werden nicht geliefert.

⑦

Ref. No	Address	New Parts	Parts No.	Description	Destination	Remarks
C232			CC73FCH1H390J	CHIP C 39PF J	T1E1T2	
C233			CE04KW0J331M	ELECTRO 330UF 6.3WV		
C234			CK73FB1H103K	CHIP C 0.010UF K		
C235			CC73FCH1H331J	CHIP C 330PF J		
C236			CE04KW1H010M	ELECTRO 1.0UF 50WV		
C237			CK73FB1H103K	CHIP C 0.010UF K	E2	
C237			CK73FB1H103K	CHIP C 0.010UF K	T1E1T2	
C238			CE04KW1A101M	ELECTRO 100UF 10WV		
C239			CE04KW0J471M	ELECTRO 470UF 6.3WV		
C240			CQ93FMG1H104J	MYLAR 0.10UF J	T1E1	
C241			CK73FB1H103K	CHIP C 0.010UF K		
C242			C90-3224-05	ELECTRO 4.7UF 16WV	T1E1	
C243			CK73FB1C104K	CHIP C 0.10UF K		
C244			CC73FCH1H220J	CHIP C 22PF J		
C245			CC73FCH1H180J	CHIP C 18PF J		
C246			CK73FB1H103K	CHIP C 0.010UF K		
C247			CE04KW1A470M	ELECTRO 47UF 10WV	E2	
C247			CE04KW1A470M	ELECTRO 47UF 10WV	T1E1T2	
C248			CE04KW1H2R2M	ELECTRO 2.2UF 50WV	E2	
C248			CE04KW1H2R2M	ELECTRO 2.2UF 50WV	T1E1T2	
C249			CC73FCH1H331J	CHIP C 330PF J	E2	
C249			CC73FCH1H331J	CHIP C 330PF J	T1E1T2	
C250			CK73FB1H103K	CHIP C 0.010UF K	E2	
C250			CK73FB1H103K	CHIP C 0.010UF K	T1E1T2	
C251			CC73FCH1H561J	CHIP C 560PF J	E2	
C251			CC73FCH1H561J	CHIP C 560PF J	T1E1T2	
C252			CE04KW1A471M	ELECTRO 470UF 10WV		
C253, 254			CK73FB1H821K	CHIP C 820PF K	T1E1	
C255			CE04KW1H100M	ELECTRO 10UF 50WV		
C256			CK73FB1C104K	CHIP C 0.10UF K		
C259			CK73FB1H103K	CHIP C 0.010UF K		
C261, 262			CE04KW1H100M	ELECTRO 10UF 50WV		
C265-268			CK73FB1H221K	CHIP C 220PF K		
C269			CK73FB1H102K	CHIP C 1000PF K	E2	
C269			CK73FB1H102K	CHIP C 1000PF K	T1E1T2	
C270			CC73FSL1H101J	CHIP C 100PF J	E2	
C270			CC73FSL1H101J	CHIP C 100PF J	T1E1T2	
C271, 272			CK73FB1H102K	CHIP C 1000PF K		
C273			CC73FSL1H470J	CHIP C 47PF J		
C274-277			CC73FSL1H101J	CHIP C 100PF J		
C278			CC73FSL1H101J	CHIP C 100PF J	T1E1	
C278			CK73FB1H471K	CHIP C 470PF K	T2E2	
C279			CC73FSL1H101J	CHIP C 100PF J	M1	
C279			CC73FSL1H101J	CHIP C 100PF J	T2E2	
C279			CK73FB1H221K	CHIP C 220PF K	T1E1	
C280			CC73FSL1H101J	CHIP C 100PF J		
C281			CC73FSL1H101J	CHIP C 100PF J	E2	
C281			CC73FSL1H101J	CHIP C 100PF J	T1E1T2	
C282			CK73FB1E473KTA	CHIP C 0.047UF K		
C284			CK73FB1H471K	CHIP C 470PF K		
C285			CK73FB1H103K	CHIP C 0.010UF K	T1E1	
C286			CC73FSL1H101J	CHIP C 100PF J	T1E1	
C287			CK73FF1C225Z	CHIP C 2.2UF Z	T1E1	
C288			CQ93FMG1H104J	MYLAR 0.10UF J		
C289			CC73FSL1H101J	CHIP C 100PF J	E2	

L : Scandinavia K : USA P : Canada R : Mexico C : China I : Malaysia  
 Y : PX(Far East, Hawaii) T : Europe E : Europe G : Germany V : China(Shanghai)  
 Y : AAFES(Europe) X : Australia Q : Russia H : Korea M : Other Areas  $\Delta$  indicates safety critical components.

\* New Parts

Parts without **Parts No.** are not supplied.Les articles non mentionnés dans le **Parts No.** ne sont pas fournis.Teile ohne **Parts No.** werden nicht geliefert.

⑧

Ref. No	Address	New Parts	Parts No.	Description	Destination	Remarks
C289			CC73FSL1H101J	CHIP C 100PF J	T1E1T2	
C290			CE04KW1A471M	ELECTRO 470UF 10WV		
C291, 292			CC73FSL1H470J	CHIP C 47PF J	T1E1	
C293, 294			CK73FB1H221K	CHIP C 220PF K	T1E1	
C295			CC73FCH1H220J	CHIP C 22PF J	T1E1	
C296			CK73FF1C225Z	CHIP C 2.2UF Z	T1E1	
C298			CK73EB1H103K	CHIP C 0.010UF K	T1E1	
C299			CK73FB1H471K	CHIP C 470PF K	T1E1	
CN1		*	E40-8348-05	SOCKET FOR PIN ASSY		
CN2		*	E40-4899-05	FLAT CABLE CONNECTOR		
CN3		*	E40-4872-05	PIN ASSY		
CN4		*	E40-8349-05	SOCKET FOR PIN ASSY		
CN201		*	E40-4876-05	PIN ASSY		
CN202		*	E40-8312-05	FLAT CABLE CONNECTOR		
CN205		*	E40-9565-05	SOCKET FOR PIN ASSY	T1E1	
CN206		*	E40-8184-05	SOCKET FOR PIN ASSY		
CN207		*	E40-8303-05	SOCKET FOR PIN ASSY		
J1		*	E63-1024-05	PHONO JACK		
J201		*	E70-0052-05	LOCK TERMINAL BOARD	E2	
J201		*	E70-0052-05	LOCK TERMINAL BOARD	T1E1T2	
J201		*	E70-0107-05	LOCK TERMINAL BOARD	M1	
L1, 2			L40-1035-29	SMALL FIXED INDUCTOR(10MH, J)		
L3, 4			L79-1242-05	LC FILTER		
L5			L32-1001-05	BIAS OSCILLATING COIL		
L6			L40-1001-17	SMALL FIXED INDUCTOR(10UH,K)		
L201			L40-1001-17	SMALL FIXED INDUCTOR(10UH,K)		
L202			L40-1091-17	SMALL FIXED INDUCTOR(1UH)	E2	
L202			L40-1091-17	SMALL FIXED INDUCTOR(1UH)	T1E1T2	
L203, 204			L92-0017-05	FERRITE CORE	T1E1	
L205			L33-0529-05	CHOKE COIL	T1E1	
X201			L77-2190-05	CRYSTAL RESONATOR(16.9344MHZ)		
X202			L78-0294-05	RESONATOR (10.000M)		
X203			L77-2173-05	CRYSTAL RESONATOR(32.768KHZ)		
X204			L77-2200-05	CRYSTAL RESONATOR(4.332MHZ)	E2	
X204			L77-2200-05	CRYSTAL RESONATOR(4.332MHZ)	T1E1T2	
R1, 2			RK73FB2A124J	CHIP R 120K J 1/10W		
R3, 4			RK73FB2A133J	CHIP R 13K J 1/10W		
R5, 6			RK73FB2A183J	CHIP R 18K J 1/10W		
R7, 8			RK73FB2A224J	CHIP R 220K J 1/10W		
R9, 10			RK73FB2A331J	CHIP R 330 J 1/10W		
R11, 12			RK73FB2A152J	CHIP R 1.5K J 1/10W		
R17, 18			RK73FB2A153J	CHIP R 15K J 1/10W		
R19-22			RK73FB2A103J	CHIP R 10K J 1/10W		
R23, 24			RK73FB2A272J	CHIP R 2.7K J 1/10W		
R25, 26			RK73FB2A222J	CHIP R 2.2K J 1/10W		
R27, 28			RK73FB2A473J	CHIP R 47K J 1/10W		
R29, 30			RK73FB2A162J	CHIP R 1.6K J 1/10W		
R31, 32			RK73FB2A392J	CHIP R 3.9K J 1/10W		
R39, 40			RK73FB2A333J	CHIP R 33K J 1/10W		
R41, 42			RK73FB2A102J	CHIP R 1.0K J 1/10W		
R43, 44			RK73FB2A224J	CHIP R 220K J 1/10W		
R60			RD14NB2E100J	RD 10 J 1/4W		
R65			RK73FB2A333J	CHIP R 33K J 1/10W		
R66			RK73FB2A202J	CHIP R 2.0K J 1/10W		

L : Scandinavia K : USA P : Canada R : Mexico C : China I : Malaysia  
 Y : PX(Far East, Hawaii) T : Europe E : Europe G : Germany V : China(Shanghai)  
 Y : AAFES(Europe) X : Australia Q : Russia H : Korea M : Other Areas  $\Delta$  indicates safety critical components.

\* New Parts

Parts without **Parts No.** are not supplied.

Les articles non mentionnés dans le **Parts No.** ne sont pas fournis.

Teile ohne **Parts No.** werden nicht geliefert.

9

Ref. No	Add-ress	New Parts	Parts No.	Description	Desti-nation	Re-marks
R67			RK73FB2A103J	CHIP R 10K J 1/10W		
R68			RD14NB2E102J	RD 1.0K J 1/4W		
R69			RK73FB2A103J	CHIP R 10K J 1/10W		
Δ R70			RD14NB2E100J	RD 10 J 1/4W		
R72			RK73FB2A473J	CHIP R 47K J 1/10W		
R73			RK73FB2A472J	CHIP R 4.7K J 1/10W		
R74			RK73FB2A473J	CHIP R 47K J 1/10W		
R75			RK73FB2A472J	CHIP R 4.7K J 1/10W		
Δ R76			RD14NB2E100J	RD 10 J 1/4W		
R77			RK73FB2A102J	CHIP R 1.0K J 1/10W		
R78, 79			RK73FB2A103J	CHIP R 10K J 1/10W		
R80			RK73FB2A223J	CHIP R 22K J 1/10W		
Δ R82			RD14NB2E100J	RD 10 J 1/4W		
R83, 84			RK73FB2A223J	CHIP R 22K J 1/10W		
R85			RK73FB2A183J	CHIP R 18K J 1/10W		
R87			RK73FB2A100J	CHIP R 10 J 1/10W		
R89-93			RK73FB2A101J	CHIP R 100 J 1/10W		
R95			RK73FB2A392J	CHIP R 3.9K J 1/10W		
R96			RK73FB2A912J	CHIP R 9.1K J 1/10W		
R101, 102			RK73FB2A472J	CHIP R 4.7K J 1/10W		
R103, 104			RK73FB2A103J	CHIP R 10K J 1/10W		
R105, 106			RK73FB2A102J	CHIP R 1.0K J 1/10W		
R107, 108			RK73FB2A104J	CHIP R 100K J 1/10W		
R109, 110			RK73FB2A472J	CHIP R 4.7K J 1/10W	E2	T1E1T2
R109, 110			RK73FB2A472J	CHIP R 4.7K J 1/10W	T1E1T2	
Δ R160			RS14KB3A390J	FL-PROOF RS 39 J 1W		
R164-168			RK73FB2A472J	CHIP R 4.7K J 1/10W		
R201, 202			RK73FB2A103J	CHIP R 10K J 1/10W		
R203-206			RK73FB2A822J	CHIP R 8.2K J 1/10W		
R209			RK73FB2A224J	CHIP R 220K J 1/10W		
R210-213			RK73FB2A683J	CHIP R 68K J 1/10W		
Δ R216			RD14NB2E3R3J	RD 3.3 J 1/4W		
R219			RK73FB2A100J	CHIP R 10 J 1/10W		
R220			RK73FB2A474J	CHIP R 470K J 1/10W		
R221			RK73FB2A224J	CHIP R 220K J 1/10W		
R222			RK73FB2A105J	CHIP R 1.0M J 1/10W		
R224			RK73FB2A333J	CHIP R 33K J 1/10W		
R225			RK73FB2A105J	CHIP R 1.0M J 1/10W		
R226			RK73FB2A103J	CHIP R 10K J 1/10W		
R227			RK73FB2A332J	CHIP R 3.3K J 1/10W		
R228			RK73FB2A162J	CHIP R 1.6K J 1/10W	T1E1	M1T2E2
R228			RK73FB2A221J	CHIP R 220 J 1/10W		
R229			RK73FB2A104J	CHIP R 100K J 1/10W		
R230			RK73FB2A332J	CHIP R 3.3K J 1/10W		
R231			RK73FB2A104J	CHIP R 100K J 1/10W		
R233			RK73FB2A103J	CHIP R 10K J 1/10W		
R234			RK73FB2A153J	CHIP R 15K J 1/10W		
R235			RK73FB2A105J	CHIP R 1.0M J 1/10W		
R236			RK73FB2A102J	CHIP R 1.0K J 1/10W		
R237			RK73FB2A471J	CHIP R 470 J 1/10W		
R238			RK73FB2A152J	CHIP R 1.5K J 1/10W		
R239			RK73FB2A273J	CHIP R 27K J 1/10W		
R240			RK73FB2A101J	CHIP R 100 J 1/10W		
R241			RK73FB2A474J	CHIP R 470K J 1/10W		
R242			RK73FB2A153J	CHIP R 15K J 1/10W		

L: Scandinavia K: USA P: Canada R: Mexico C: China I: Malaysia

Y: PX(Far East, Hawaii) T: Europe E: Europe G: Germany V: China(Shanghai)

Y: AAFES(Europe) X: Australia Q: Russia H: Korea M: Other Areas Δ indicates safety critical components.

\* New Parts

Parts without **Parts No.** are not supplied.

Les articles non mentionnés dans le **Parts No.** ne sont pas fournis.

Teile ohne **Parts No.** werden nicht geliefert.

10

Ref. No	Add-ress	New Parts	Parts No.	Description	Desti-nation	Re-marks
R243			RK73FB2A472J	CHIP R 4.7K J 1/10W		
R244			RK73FB2A473J	CHIP R 47K J 1/10W		
R245			RK73FB2A101J	CHIP R 100 J 1/10W		
R246			RK73FB2A472J	CHIP R 4.7K J 1/10W		
Δ R247, 248			RK73FB2A103J	CHIP R 10K J 1/10W		
R249			RK73FB2A184J	CHIP R 180K J 1/10W		
R250			RK73FB2A471J	CHIP R 470 J 1/10W		
R251			RK73FB2A473J	CHIP R 47K J 1/10W		
R252			RK73FB2A471J	CHIP R 470 J 1/10W		
R253			RK73FB2A473J	CHIP R 47K J 1/10W		
R256			RK73FB2A101J	CHIP R 100 J 1/10W		
R257			RK73FB2A471J	CHIP R 470 J 1/10W		
R258			RK73FB2A100J	CHIP R 10 J 1/10W		
R259			RK73FB2A101J	CHIP R 100 J 1/10W		
R260			RK73FB2A472J	CHIP R 4.7K J 1/10W		
R261			RK73FB2A473J	CHIP R 47K J 1/10W	M1	
R262			RK73FB2A473J	CHIP R 47K J 1/10W	E2	
R262			RK73FB2A473J	CHIP R 47K J 1/10W	T1E1T2	
R263			RK73FB2A473J	CHIP R 47K J 1/10W	M1	
R264			RK73FB2A473J	CHIP R 47K J 1/10W	E2	
R264			RK73FB2A473J	CHIP R 47K J 1/10W	T1E1T2	
R266			RK73FB2A473J	CHIP R 47K J 1/10W		
R267			RK73FB2A473J	CHIP R 47K J 1/10W	E2	
R267			RK73FB2A473J	CHIP R 47K J 1/10W	T1E1T2	
R268			RK73FB2A473J	CHIP R 47K J 1/10W	M1	
R269			RK73FB2A473J	CHIP R 47K J 1/10W	T1E1	M1T2E2
R270			RK73FB2A473J	CHIP R 47K J 1/10W		
R271			RK73FB2A473J	CHIP R 47K J 1/10W		
R276-281			RK73FB2A101J	CHIP R 100 J 1/10W		
R282			RK73FB2A102J	CHIP R 1.0K J 1/10W		
Δ R285			RD14NB2E4R7J	RD 4.7 J 1/4W		
R287-289			RK73FB2A103J	CHIP R 10K J 1/10W		
R291			RK73FB2A102J	CHIP R 1.0K J 1/10W		
R292			RK73FB2A104J	CHIP R 100K J 1/10W		
R294			RK73FB2A102J	CHIP R 1.0K J 1/10W		
R295			RK73FB2A101J	CHIP R 100 J 1/10W		
R297, 298			RK73FB2A471J	CHIP R 470 J 1/10W		
R299			RK73FB2A103J	CHIP R 10K J 1/10W	T1E1	
R300			RK73FB2A473J	CHIP R 47K J 1/10W		
R303			RK73FB2A473J	CHIP R 47K J 1/10W		
R306			RK73FB2A475J	CHIP R 4.7M J 1/10W		
R307			RK73FB2A473J	CHIP R 47K J 1/10W		
R308			RK73FB2A104J	CHIP R 100K J 1/10W		
R309, 310			RK73FB2A471J	CHIP R 470 J 1/10W		
R312			RK73FB2A102J	CHIP R 1.0K J 1/10W		
R313			RK73FB2A471J	CHIP R 470 J 1/10W		
R314			RK73FB2A102J	CHIP R 1.0K J 1/10W		
R315			RK73FB2A471J	CHIP R 470 J 1/10W		
R316			RK73FB2A473J	CHIP R 47K J 1/10W		
R318, 319			RK73FB2A473J	CHIP R 47K J 1/10W		
R321			RK73FB2A473J	CHIP R 47K J 1/10W		
R322			RK73FB2A103J	CHIP R 10K J 1/10W		
R324			RK73FB2A222J	CHIP R 2.2K J 1/10W	E2	
R324			RK73FB2A222J	CHIP R 2.2K J 1/10W	T1E1T2	
R326			RK73FB2A473J	CHIP R 47K J 1/10W	E2	

L: Scandinavia K: USA P: Canada R: Mexico C: China I: Malaysia

Y: PX(Far East, Hawaii) T: Europe E: Europe G: Germany V: China(Shanghai)

Y: AAFES(Europe) X: Australia Q: Russia H: Korea M: Other Areas Δ indicates safety critical components.

PARTS LIST

RXD-M51/M51MD

\* New Parts

Parts without **Parts No.** are not supplied.Les articles non mentionnés dans le **Parts No.** ne sont pas fournis.Teile ohne **Parts No.** werden nicht geliefert.

11

Ref. No	Add-ress	New Parts	Parts No.	Description	Desti-nation	Re-marks
R326			RK73FB2A473J	CHIP R 47K J 1/10W	T1E1T2	
R327			RK73FB2A101J	CHIP R 100 J 1/10W	E2	
R327			RK73FB2A101J	CHIP R 100 J 1/10W	T1E1T2	
R328, 329			RD14NB2E2R2J	RD 2.2 J 1/4W		
R330			RK73FB2A473J	CHIP R 47K J 1/10W		
R331, 332			RK73FB2A101J	CHIP R 100 J 1/10W	T1E1	
R333, 334			RK73FB2A152J	CHIP R 1.5K J 1/10W	T1E1	
R335, 336			RK73FB2A163J	CHIP R 16K J 1/10W	T1E1	
R338			RK73FB2A100J	CHIP R 10 J 1/10W	T1E1	
R351, 352			RK73FB2A222J	CHIP R 2.2K J 1/10W		
R353, 354			RK73FB2A471J	CHIP R 470 J 1/10W		
R355, 356			RK73FB2A104J	CHIP R 100K J 1/10W		
R357			RK73FB2A472J	CHIP R 4.7K J 1/10W		
VR1, 2		*	R32-0030-05	SEMI FIXED VARIABLE RESISTOR		
VR3, 4		*	R32-0075-05	SEMI FIXED VARIABLE RESISTOR		
VR201			R32-0038-05	SEMI FIXED VARIABLE RESISTOR		
W501, 502			R92-0670-05	CHIP R 0 OHM	M1T2E2	
W505			R92-0670-05	CHIP R 0 OHM		
W506			R92-0679-05	CHIP R 0 OHM		
W601			R92-0679-05	CHIP R 0 OHM	M1	
W601, 602			R92-0679-05	CHIP R 0 OHM	E2	
W601, 602			R92-0679-05	CHIP R 0 OHM	T1E1T2	
W603			R92-0670-05	CHIP R 0 OHM	E2	
W603			R92-0670-05	CHIP R 0 OHM	T1E1T2	
W604-606			R92-0679-05	CHIP R 0 OHM	M1	
W604-614			R92-0679-05	CHIP R 0 OHM	E2	
W604-614			R92-0679-05	CHIP R 0 OHM	T1E1T2	
W609-614			R92-0679-05	CHIP R 0 OHM	M1	
W615			R92-0670-05	CHIP R 0 OHM	E2	
W615			R92-0670-05	CHIP R 0 OHM	T1E1T2	
W616			R92-0679-05	CHIP R 0 OHM		
W617-619			R92-0670-05	CHIP R 0 OHM		
W620			R92-0679-05	CHIP R 0 OHM		
W621			R92-0670-05	CHIP R 0 OHM	T2E2	
W622			R92-0670-05	CHIP R 0 OHM	T1E1	
W623			R92-0679-05	CHIP R 0 OHM	M1T2E2	
W623, 624			R92-0679-05	CHIP R 0 OHM	T1E1	
S201			S40-1140-05	PUSH SWITCH		
D1			MTZJ5.6(B)	ZENER DIODE		
D1			RD5.6ES(B2)	ZENER DIODE		
D2-4			HSS104A	DIODE		
D2-4			1SS133	DIODE		
D5			MTZJ4.7(B)	ZENER DIODE		
D5			RD4.7ES(B2)	ZENER DIODE		
D6			MTZJ5.1(B)	ZENER DIODE		
D6			RD5.1ES(B2)	ZENER DIODE		
D201			HSS104A	DIODE		
D201			1SS133	DIODE		
D202			MTZJ5.6(B)	ZENER DIODE		
D202			RD5.6ES(B2)	ZENER DIODE		
D203			HSS104A	DIODE		
D203			1SS133	DIODE		
D205			DA204U	DIODE		

L : Scandinavia K : USA P : Canada R : Mexico C : China I : Malaysia

Y : PX(Far East, Hawaii) T : Europe E : Europe G : Germany V : China(Shanghai)

Y : AAFES(Europe) X : Australia Q : Russia H : Korea M : Other Areas  $\Delta$  indicates safety critical components.

\* New Parts

Parts without **Parts No.** are not supplied.Les articles non mentionnés dans le **Parts No.** ne sont pas fournis.Teile ohne **Parts No.** werden nicht geliefert.

12

Ref. No	Add-ress	New Parts	Parts No.	Description	Desti-nation	Re-marks
D206, 207			S5688B(TPB5)	DIODE		
D208			HSS104A	DIODE	T1E1	
D208			1SS133	DIODE	T1E1	
D209, 210			HSS104A	DIODE		
D209, 210			1SS133	DIODE		
D211			MA111	DIODE		
D212, 213			HSS104A	DIODE	T1E1	
D212, 213			1SS133	DIODE	T1E1	
D214			MTZJ5.6(B)	ZENER DIODE		
D214			RD5.6ES(B2)	ZENER DIODE		
D215			MA111	DIODE	T1E1	
D216, 217			DA204U	DIODE		
IC1		*	HA12219NT	ANALOGUE IC		
IC2			HA12136A	IC(DOLBY B NR SYSTEM)		
IC4		*	LC75396NE	ANALOGUE IC		
IC5			BA3126N	ANALOGUE IC		
IC201			CXA1571M	IC(CD RF AMP)		
IC202			BA5979S	ANALOGUE IC		
IC203			CXD2587Q	MOS-IC		
IC204			PST993D-T	ANALOGUE IC		
IC205		*	M30622MA-174FP	MI-COM IC		
IC206			SAA6579T	ANALOGUE IC	E2	
IC206			SAA6579T	ANALOGUE IC	T1E1T2	
IC206			SAA6579T/R	ANALOGUE IC	E2	
IC206			SAA6579T/R	ANALOGUE IC	T1E1T2	
Q1, 2			2SC2458(Y,GR)	TRANSISTOR		
Q1, 2			2SC2785(F,E)	TRANSISTOR		
Q3			2SC3940A(R,S)	TRANSISTOR		
Q3			2SD863(E,F)	TRANSISTOR		
Q4-8			DTC124ESA	DIGITAL TRANSISTOR		
Q4-8			UN4212	DIGITAL TRANSISTOR		
Q9, 10			2SA1286-T11	TRANSISTOR		
Q11			DTA124ESA	DIGITAL TRANSISTOR		
Q11			UN4112	DIGITAL TRANSISTOR		
Q12			DTC124ESA	DIGITAL TRANSISTOR		
Q12			UN4212	DIGITAL TRANSISTOR		
Q13, 14			DTC143TUA	DIGITAL TRANSISTOR		
Q13, 14			UN5216	DIGITAL TRANSISTOR		
Q15		*	DTA143TUA	DIGITAL TRANSISTOR		
Q15			UN5116	DIGITAL TRANSISTOR		
Q16, 17			2SD1757K	TRANSISTOR	E2	
Q16, 17			2SD1757K	TRANSISTOR	T1E1T2	
Q18		*	DTA143TUA	DIGITAL TRANSISTOR	E2	
Q18		*	DTA143TUA	DIGITAL TRANSISTOR	T1E1T2	
Q18			UN5116	DIGITAL TRANSISTOR	E2	
Q18			UN5116	DIGITAL TRANSISTOR	T1E1T2	
Q201			2SD2012	TRANSISTOR		
Q201			2SD2061(E,F)	TRANSISTOR		
Q202			DTC143TSA	DIGITAL TRANSISTOR		
Q202			UN4216	DIGITAL TRANSISTOR		
Q203			2SA954(L,K)	TRANSISTOR		
Q204			DTC143TSA	DIGITAL TRANSISTOR		
Q204			UN4216	DIGITAL TRANSISTOR		
Q205			2SC3940A(R,S)	TRANSISTOR		
Q205			2SD863(E,F)	TRANSISTOR		

L : Scandinavia K : USA P : Canada R : Mexico C : China I : Malaysia

Y : PX(Far East, Hawaii) T : Europe E : Europe G : Germany V : China(Shanghai)

Y : AAFES(Europe) X : Australia Q : Russia H : Korea M : Other Areas  $\Delta$  indicates safety critical components.



\* New Parts

Parts without **Parts No.** are not supplied.  
Les articles non mentionnés dans le **Parts No.** ne sont pas fournis.  
Teile ohne **Parts No.** werden nicht geliefert.



Ref. No	Add-ress	New Parts	Parts No.	Description	Desti-nation	Re-marks
Q206		*	DTA143TUA	DIGITAL TRANSISTOR		
Q206			UN6116	DIGITAL TRANSISTOR		
Q207			2SC2458(Y,GR)	TRANSISTOR		
Q207			2SC2785(F,E)	TRANSISTOR		
Q208			2SA1048(Y,GR)	TRANSISTOR	T1E1	
Q208			2SA1175(F,E)	TRANSISTOR	T1E1	
Q209, 210			2SC2878(B)	TRANSISTOR		
A201			W02-1114-05	OSCILLATING MODULE	M1T2E2	
A301		*	W02-2666-05	TUNER ASSY	M1	
A301		*	W02-2667-05	TUNER ASSY	E2	
A301		*	W02-2667-05	TUNER ASSY	T1E1T2	
<b>DISPLAY UNIT (X14-4870-00)</b>						
D1-4			B30-2430-05	LED(RED)		
D5			B30-2522-05	LED(RED,GREEN,3MM)		
C1			C90-3226-05	ELECTRO 22UF 16WV		
C2, 3			C91-0745-05	CERAMIC 100PF K		
C4, 5			CQ93FMG1H473J	MYLAR 0.047UF J		
C6, 7			C90-3253-05	ELECTRO 1.0UF 50WV		
C8			C91-0741-05	CERAMIC 68PF J		
C9			C91-0769-05	CERAMIC 0.010UF K		
C10, 11			C90-3253-05	ELECTRO 1.0UF 50WV		
CN1			E40-8182-05	PIN ASSY		
CN2		*	E40-8304-05	PIN ASSY		
J1			E11-0344-05	MINIATURE PHONE JACK		
P1		*	E29-1640-14	LEAD PLATE		
-		*	J19-5932-03	HOLDER		
CP1			R90-0812-05	MULTI-COMP 10KX10 J 1/6W		
R51, 52			RS14KB3A331J	FL-PROOF RS 330 J 1W		
S2-17			S70-0031-05	TACT SWITCH		
S1			T99-0602-05	ROTARY ENCODER		
D6			MTZJ6.2(B)	ZENER DIODE		
D6			RD6.2ES(B2)	ZENER DIODE		
ED1		*	CM1740M	INDICATOR TUBE		
IC1			LC75710NED	MOS-IC		
Q1-4			DTC124ESA	DIGITAL TRANSISTOR		
Q1-4			UN4212	DIGITAL TRANSISTOR		
Q5, 6			DTA124ESA	DIGITAL TRANSISTOR		
Q5, 6			UN4112	DIGITAL TRANSISTOR		
Q8-15			2SC1740S(Q,R)	TRANSISTOR		
Q8-15			2SC2785(F,E)	TRANSISTOR		
A1			W02-2561-05	ELECTRIC CIRCUIT MODULE		
<b>MD UNIT (X33-1172-71)</b>						
C1, 2			CE04KW1H100M	ELECTRO 10UF 50WV	T1E1	
C5, 6			CE04KW1H3R3M	ELECTRO 3.3UF 50WV	T1E1	
C7, 8			CQ93FMG1H821J	MYLAR 820PF J	T1E1	
C9, 10			CE04KW1H3R3M	ELECTRO 3.3UF 50WV	T1E1	
C11			CQ93FMG1H104J	MYLAR 0.10UF J	T1E1	
C12			CK73FB1C224K	CHIP C 0.22UF K	T1E1	
C13, 14			CK73FB1H103K	CHIP C 0.010UF K	T1E1	
C15			CE04KW1A101M	ELECTRO 10UF 10WV	T1E1	

L : Scandinavia K : USA P : Canada R : Mexico C : China I : Malaysia  
Y : PX(Far East, Hawaii) T : Europe E : Europe G : Germany V : China(Shanghai)  
Y : AAFES(Europe) X : Australia Q : Russia H : Korea M : Other Areas  $\Delta$  indicates safety critical components.

\* New Parts

Parts without **Parts No.** are not supplied.  
Les articles non mentionnés dans le **Parts No.** ne sont pas fournis.  
Teile ohne **Parts No.** werden nicht geliefert.



Ref. No	Add-ress	New Parts	Parts No.	Description	Desti-nation	Re-marks
C16, 17			CE04KW1A471M	ELECTRO 470UF 10WV	T1E1	
C18			C90-3623-05	BACK UP 0.33F 5.5V	T1E1	
C19			CE04KW1H2R2M	ELECTRO 2.2UF 50WV	T1E1	
C20			CQ93FMG1H104J	MYLAR 0.10UF J	T1E1	
C21			CE04KW1A470M	ELECTRO 47UF 10WV	T1E1	
C22			CE04KW1A221M	ELECTRO 220UF 10WV	T1E1	
C24			CE04KW1H101M	ELECTRO 100UF 50WV	T1E1	
C25			CE04KW1A470M	ELECTRO 47UF 10WV	T1E1	
C26			CE04KW1C331M	ELECTRO 330UF 16WV	T1E1	
CN2			E40-9566-05	PIN ASSY	T1E1	
CN4		*	E40-8307-05	FLAT CABLE CONNECTOR	T1E1	
L1			L40-1091-17	SMALL FIXED INDUCTOR	T1E1	
L2, 3			L92-0017-05	FERRITE CORE	T1E1	
X1			L78-0284-05	RESONATOR (5MHZ)	T1E1	
R13			RK73FB2A104J	CHIP R 100K J 1/10W	T1E1	
R16			RK73FB2A104J	CHIP R 100K J 1/10W	T1E1	
R18			RK73FB2A104J	CHIP R 100K J 1/10W	T1E1	
R20-24			RK73FB2A101J	CHIP R 100 J 1/10W	T1E1	
R26, 27			RK73FB2A101J	CHIP R 100 J 1/10W	T1E1	
R29			RK73FB2A101J	CHIP R 100 J 1/10W	T1E1	
R30			RK73FB2A103J	CHIP R 10K J 1/10W	T1E1	
R31			RK73FB2A101J	CHIP R 100 J 1/10W	T1E1	
R41			RS14KB3A220J	FL-PROOF RS 22 J 1W	T1E1	
R43			RD14NB2E4R7J	RD 4.7 J 1/4W	T1E1	
R52			RK73FB2A271J	CHIP R 270 J 1/10W	T1E1	
R53			RK73FB2A511J	CHIP R 510 J 1/10W	T1E1	
W51, 52			R92-0679-05	CHIP R 0 OHM	T1E1	
D1			S5688B	DIODE	T1E1	
D1			1SR139-400	DIODE	T1E1	
D2			MTZJ3.3(B)	ZENER DIODE	T1E1	
D2			RD3.3ES(B2)	ZENER DIODE	T1E1	
D3			MTZJ5.6(B)	ZENER DIODE	T1E1	
D3			RD5.6ES(B2)	ZENER DIODE	T1E1	
D4			MTZJ6.8(B)	ZENER DIODE	T1E1	
D4			RD6.8ES(B2)	ZENER DIODE	T1E1	
D5			HSS104A	DIODE	T1E1	
D5			1SS133	DIODE	T1E1	
IC1		*	UPD78058GC-B20	MI-COM IC	T1E1	
IC2			TC74HCT7007AF	IC(HEX BUFFER)	T1E1	
IC3			NJM4565M	IC(OP AMP X2)	T1E1	
Q1			DTA143TSA	DIGITAL TRANSISTOR	T1E1	
Q1			UN4116	DIGITAL TRANSISTOR	T1E1	
Q2			DTC124ESA	DIGITAL TRANSISTOR	T1E1	
Q2			UN4212	DIGITAL TRANSISTOR	T1E1	
Q3			2SA1048(Y,GR)	TRANSISTOR	T1E1	
Q3			2SA1175(F,E)	TRANSISTOR	T1E1	
Q5			DTC124ESA	DIGITAL TRANSISTOR	T1E1	
Q5			UN4212	DIGITAL TRANSISTOR	T1E1	
Q6			2SC2458(Y,GR)	TRANSISTOR	T1E1	
Q6			2SC2785(F,E)	TRANSISTOR	T1E1	
Q7, 8			2SD2525	TRANSISTOR	T1E1	
Q9			2SC2458(Y,GR)	TRANSISTOR	T1E1	
Q9			2SC2785(F,E)	TRANSISTOR	T1E1	

L : Scandinavia K : USA P : Canada R : Mexico C : China I : Malaysia  
Y : PX(Far East, Hawaii) T : Europe E : Europe G : Germany V : China(Shanghai)  
Y : AAFES(Europe) X : Australia Q : Russia H : Korea M : Other Areas  $\Delta$  indicates safety critical components.

PARTS LIST

RXD-M51/M51MD

\* New Parts  
Parts without **Parts No.** are not supplied.  
Les articles non mentionnés dans le **Parts No.** ne sont pas fournis.  
Teile ohne **Parts No.** werden nicht geliefert.

15

Ref. No	Add-ress	New Parts	Parts No.	Description	Desti-nation	Re-marks
<b>MD MECHANISM UNIT (MDM-98A)</b>						
C1100			C92-0171-08	CHIP-C	4.7UF	K
C1101		*	C92-0205-08	ELECTRO	1.0UF	6.3WU
C1102		*	CK73FF1C105K	CHIP C	1.0UF	K
C1103			CK73FB1H273K	CHIP C	0.027UF	K
C1104			CK73FB1H333K	CHIP C	0.033UF	K
C1105			CK73FB1H332K	CHIP C	3300PF	K
C1106		*	C92-0205-08	ELECTRO	1.0UF	6.3WU
C1107			CK73GB1C333K	CHIP C	0.033UF	K
C1108			CK73FB1C474K	CHIP C	0.47UF	K
C1109		*	C92-0205-08	ELECTRO	1.0UF	6.3WU
C1110			CK73FB1H472K	CHIP C	4700PF	K
C1111			CK73FB1C474K	CHIP C	0.47UF	K
C1112		*	C93-0044-08	CERAMIC	330PF	J
C1113-17			C93-0034-08	CERAMIC	270PF	J
C1118			CK73FF1C105Z	CHIP C	1.0UF	Z
C1119		*	C92-0205-08	ELECTRO	1.0UF	6.3WU
C1120			CK73FF1H103Z	CHIP C	0.010UF	Z
C1200			CK73FF1C105Z	CHIP C	1.0UF	Z
C1201			C92-0172-08	CHIP-C	10UF	K
C1202, 03			CK73FF1C105Z	CHIP C	1.0UF	Z
C1204			CK73GB1C473K	CHIP C	0.047UF	K
C1205			CK73FF1C105Z	CHIP C	1.0UF	Z
C1206			CK73FB1H122K	CHIP C	1200PF	K
C1207			CK73FF1C105Z	CHIP C	1.0UF	Z
C1208, 09			CC73GCH1H120J	CHIP C	12PF	J
C1210			CC73GCH1H220J	CHIP C	22PF	J
C1300			CK73FCH1H121J	CHIP C	120PF	J
C1301			CK73GB1C273K	CHIP C	0.027UF	K
C1302			C92-0172-08	CHIP-C	10UF	K
C1303			C92-0171-08	CHIP-C	4.7UF	K
C1304			C92-0172-08	CHIP-C	10UF	K
C1400, 01			CK73GB1C223K	CHIP C	0.022UF	K
C1402			CK73FB1H681K	CHIP C	680PF	K
C1403			CK73GB1C473K	CHIP C	0.047UF	K
C1404			CK73GB1C223K	CHIP C	0.022UF	K
C1405			CK73FB1H681K	CHIP C	680PF	K
C1406			CK73GB1C223K	CHIP C	0.022UF	K
C1407			CK73GB1C473K	CHIP C	0.047UF	K
C1408			CK73GB1C223K	CHIP C	0.022UF	K
C1409			CK73GF1E104Z	CHIP C	0.10UF	Z
C1410			CK73FF1C105Z	CHIP C	1.0UF	Z
C1411		*	C93-0044-08	CERAMIC	330PF	J
C1501			CK73FF1C105Z	CHIP C	1.0UF	Z
C1502			CC73GCH1H221J	CHIP C	220PF	J
C1503			CK73EB1C334K	CHIP C	0.33UF	K
C1504			CC73GCH1H221J	CHIP C	220PF	J
C1505, 06			CC73GCH1H101J	CHIP C	100PF	J
C1508, 09			CK73GB1C473K	CHIP C	0.047UF	K
C1511			CC73GCH1H220J	CHIP C	22PF	J
C1600			CK73EF1C105Z	CHIP C	1.0UF	Z
C1601-04			CC73GSL1H821J	CHIP C	820PF	J
C1606			C92-0172-08	CHIP-C	10UF	K
C1607			CK73FF1C105Z	CHIP C	1.0UF	Z

L: Scandinavia K: USA P: Canada R: Mexico C: China I: Malaysia  
Y: PX(Far East, Hawaii) T: Europe E: Europe G: Germany V: China(Shanghai)  
Y: AAFES(Europe) X: Australia Q: Russia H: Korea M: Other Areas  $\Delta$  indicates safety critical components.

\* New Parts  
Parts without **Parts No.** are not supplied.  
Les articles non mentionnés dans le **Parts No.** ne sont pas fournis.  
Teile ohne **Parts No.** werden nicht geliefert.

16

Ref. No	Add-ress	New Parts	Parts No.	Description	Desti-nation	Re-marks
C1608			C92-0151-08	ELECTRO	100UF	10WV
C1610			C92-0171-08	CHIP-C	4.7UF	K
C1611, 12			CK73FB1H822K	CHIP C	8200PF	K
C1613			CK73GB1E153K	CHIP C	0.015UF	K
C1615			CK73GB1E153K	CHIP C	0.015UF	K
C1616			C92-0151-08	ELECTRO	100UF	10WV
C1619		*	C93-0044-08	CERAMIC	330PF	J
C1700, 01			C92-0162-08	ELECTRO	47UF	4WV
C1702			C93-0035-08	CERAMIC	0.01UF	K
C1703			CK73GB1C473K	CHIP C	0.047UF	K
C1704			C92-0162-08	ELECTRO	47UF	4WV
C1705			CK73GB1C473K	CHIP C	0.047UF	K
C1706			CK73FF1H103Z	CHIP C	0.010UF	Z
C1707			CK73FF1C105Z	CHIP C	1.0UF	Z
C1708, 09			CK73FF1H103Z	CHIP C	0.010UF	Z
C1710			C92-0173-08	ELECTRO	10UF	16WV
C1711			C92-0162-08	ELECTRO	47UF	4WV
C1712			C92-0173-08	ELECTRO	10UF	16WV
C1713			CK73FF1H103Z	CHIP C	0.010UF	Z
C1714			CK73FF1C105Z	CHIP C	1.0UF	Z
C1715			CK73FF1H103Z	CHIP C	0.010UF	Z
C1716			C92-0162-08	ELECTRO	47UF	4WV
C1800			C92-0174-08	ELECTRO	220UF	4WV
C1801, 02			C92-0172-08	CHIP-C	10UF	K
C1803			C92-0151-08	ELECTRO	100UF	10WV
C1804			CK73EF1C225Z	CHIP C	2.2UF	Z
C1805			CK73FF1C105Z	CHIP C	1.0UF	Z
CN1101			E40-8210-08	PIN ASSY		
CN1300			E40-8080-08	PIN ASSY		
CN1401			E40-8211-08	PIN ASSY		
CN1501		*	E40-8371-08	PIN ASSY		
CN1602			E40-8212-08	PIN ASSY		
CN1603		*	E40-8372-08	PIN ASSY		
CN1604			E40-8213-08	PIN ASSY		
CN1901			E40-8228-08	PIN ASSY		
CW1901			E40-8229-08	FLAT CABLE (5P)		
CW1903			E40-8230-08	WIRING HARNESS (2P)		
L1100			L90-0100-08	COIL		
L1101			L90-0099-08	COIL		
L1200			L90-0301-08	COIL		
L1201			L90-0100-08	COIL		
L1300, 01			L90-0302-08	COIL		
L1501			L90-0303-08	COIL		
L1503			L90-0301-08	COIL		
L1600			L90-0303-08	COIL		
L1700, 01			L90-0099-08	COIL		
XL1201			L77-2224-08	CRYSTAL RESONATOR (33.8688MHZ)		
R1100			RK73EB2B270J	CHIP R	27	J 1/8W
R1101			RK73GB1J1R0J	CHIP R	1	J 1/16W
R1102			RK73GB1J103J	CHIP R	10K	J 1/16W
R1103			RK73GB1J394J	CHIP R	390K	J 1/16W
R1105			RK73GB1J122J	CHIP R	1.2K	J 1/16W
R1106			RK73GB1J563J	CHIP R	56K	J 1/16W
R1107			RK73GB1J561J	CHIP R	560	J 1/16W

L: Scandinavia K: USA P: Canada R: Mexico C: China I: Malaysia  
Y: PX(Far East, Hawaii) T: Europe E: Europe G: Germany V: China(Shanghai)  
Y: AAFES(Europe) X: Australia Q: Russia H: Korea M: Other Areas  $\Delta$  indicates safety critical components.

\* New Parts

Parts without **Parts No.** are not supplied.  
Les articles non mentionnés dans le **Parts No.** ne sont pas fournis.  
Teile ohne **Parts No.** werden nicht geliefert.

17

Ref. No	Add-ress	New Parts	Parts No.	Description	Desti-nation	Re-marks
R1108-12			RK73GB1J223J	CHIP R 22K J 1/16W		
R1113			R92-1823-08	JUMPER R 0 J 1/16W		
R1200, 01			RK73GB1J124J	CHIP R 120K J 1/16W		
R1202, 03			RK73GB1J154D	CHIP R 150K D 1/16W		
R1204, 05			RK73GB1J623J	CHIP R 62K J 1/16W		
R1206, 07			RK73GB1J333J	CHIP R 33K J 1/16W		
R1208			RK73GB1J221J	CHIP R 220 J 1/16W		
R1209			RK73GB1J101J	CHIP R 100 J 1/16W		
R1210, 11			RK73GB1J221J	CHIP R 220 J 1/16W		
R1212			RK73GB1J470J	CHIP R 47 J 1/16W		
R1214			RK73GB1J103J	CHIP R 10K J 1/16W		
R1215			RK73GB1J105J	CHIP R 1.0M J 1/16W		
R1216			R92-1823-08	JUMPER R 0 J 1/16W		
R1217			RK73GB1J151J	CHIP R 150 J 1/16W		
R1219			RK73GB1J103J	CHIP R 10K J 1/16W		
R1220			R92-1823-08	JUMPER R 0 J 1/16W		
R1221, 22			RK73GB1J103J	CHIP R 10K J 1/16W		
R1223			RK73GB1J101J	CHIP R 100 J 1/16W		
R1224			R92-1823-08	JUMPER R 0 J 1/16W		
R1300			R92-1824-08	JUMPER R 0 J 1/10W		
R1301			RK73GB1J100J	CHIP R 10 J 1/16W		
R1302			R92-1824-08	JUMPER R 0 J 1/10W		
R1303			RK73EB2B000J	CHIP R 0 J 1/8W		
R1304			RK73FB2A681J	CHIP R 680 J 1/10W		
R1400			RK73GB1J272J	CHIP R 2.7K J 1/16W		
R1401			RK73GB1J152J	CHIP R 1.5K J 1/16W		
R1402-04			RK73GB1J102J	CHIP R 1.0K J 1/16W		
R1405			RK73GB1J332J	CHIP R 3.3K J 1/16W		
R1406, 07			RK73GB1J104J	CHIP R 100K J 1/16W		
R1408			RK73GB1J332J	CHIP R 3.3K J 1/16W		
R1409			RK73GB1J102J	CHIP R 1.0K J 1/16W		
R1410			RK73GB1J332J	CHIP R 3.3K J 1/16W		
R1411			RK73GB1J102J	CHIP R 1.0K J 1/16W		
R1412			RK73GB1J103J	CHIP R 10K J 1/16W		
R1413, 14			RK73GB1J102J	CHIP R 1.0K J 1/16W		
R1415-17			RK73GB1J103J	CHIP R 10K J 1/16W		
R1419-24			RK73GB1J103J	CHIP R 10K J 1/16W		
R1425			RK73GB1J104J	CHIP R 100K J 1/16W		
R1426-28			RK73GB1J102J	CHIP R 1.0K J 1/16W		
R1429			RK73GB1J473J	CHIP R 47K J 1/16W		
R1430			RK73GB1J103J	CHIP R 10K J 1/16W		
R1444			RK73GB1J101J	CHIP R 100 J 1/16W		
R1510, 11			RK73GB1J822J	CHIP R 8.2K J 1/16W		
R1512, 13			RK73GB1J470J	CHIP R 47 J 1/16W		
R1514			RK73GB1J102J	CHIP R 1.0K J 1/16W		
R1515, 16			RK73GB1J182J	CHIP R 1.8K J 1/16W		
R1517, 18			RK73GB1J103J	CHIP R 10K J 1/16W		
R1519			RK73GB1J121J	CHIP R 120 J 1/16W		
R1520			RK73GB1J103J	CHIP R 10K J 1/16W		
R1521			RK73GB1J682J	CHIP R 6.8K J 1/16W		
R1522			RK73GB1J221J	CHIP R 220 J 1/16W		
R1523			R92-1823-08	JUMPER R 0 J 1/16W		
R1525			RK73GB1J332J	CHIP R 3.3K J 1/16W		
R1526			RK73GB1J102J	CHIP R 1.0K J 1/16W		
R1527-29			RK73GB1J822J	CHIP R 8.2K J 1/16W		

L : Scandinavia K : USA P : Canada R : Mexico C : China I : Malaysia  
 Y : PX(Far East, Hawaii) T : Europe E : Europe G : Germany V : China(Shanghai)  
 Y : AAFES(Europe) X : Australia Q : Russia H : Korea M : Other Areas Δ indicates safety critical components.

\* New Parts

Parts without **Parts No.** are not supplied.  
Les articles non mentionnés dans le **Parts No.** ne sont pas fournis.  
Teile ohne **Parts No.** werden nicht geliefert.

18

Ref. No	Add-ress	New Parts	Parts No.	Description	Desti-nation	Re-marks
R1530, 31			RK73GB1J221J	CHIP R 220 J 1/16W		
R1532			RK73GB1J102J	CHIP R 1.0K J 1/16W		
R1535			RK73FB2A470J	CHIP R 47 J 1/10W		
R1536-39			R92-1824-08	JUMPER R 0 J 1/10W		
R1561			R92-1824-08	JUMPER R 0 J 1/10W		
R1600, 01			RK73GB1J682D	CHIP R 6.8K D 1/16W		
R1605, 06			RK73GB1J103J	CHIP R 10K J 1/16W		
R1612			RK73GB1J204D	CHIP R 200K D 1/16W		
R1614			R92-1874-08	METAL 100K D 1/16W		
R1616, 17			RK73GB1J682J	CHIP R 6.8K J 1/16W		
R1618			RK73GB1J153J	CHIP R 15K J 1/16W		
R1620			RK73GB1J153J	CHIP R 15K J 1/16W		
R1700			RK73GB1J393J	CHIP R 39K J 1/16W		
R1701			RK73GB1J303J	CHIP R 30K J 1/16W		
R1702			R92-1872-08	METAL 1K D 1/16W		
R1703			R92-1875-08	METAL 3.3K D 1/16W		
R1704			RK73GB1J821J	CHIP R 820 J 1/16W		
R1705			RK73GB1J393J	CHIP R 39K J 1/16W		
R1706			RK73GB1J105J	CHIP R 1.0M J 1/16W		
R1707			RK73GB1J102J	CHIP R 1.0K J 1/16W		
R1708			RK73GB1J273J	CHIP R 27K J 1/16W		
R1709			RK73GB1J393J	CHIP R 39K J 1/16W		
R1710			RK73GB1J684J	CHIP R 680K J 1/16W		
Δ R1711, 12			RK73FB2A120J	CHIP R 12 J 1/10W		
R1713			RK73GB1J104J	CHIP R 100K J 1/16W		
R1801			RK73GB1J271J	CHIP R 270 J 1/16W		
R1802			R92-1873-08	METAL 220K D 1/16W		
R1803			R92-1874-08	METAL 100K D 1/16W		
R1804			RK73GB1J391J	CHIP R 390 J 1/16W		
R1805			RK73GB1J271J	CHIP R 270 J 1/16W		
Δ R1806			RK73FB2A1R0J	CHIP R 1 J 1/10W		
R1807			RK73GB1J273J	CHIP R 27K J 1/16W		
R1808			RK73GB1J182J	CHIP R 1.8K J 1/16W		
Δ R1809			RK73EB2B1R0J	CHIP R 1 J 1/8W		
Δ R1811			RK73EB2B1R0J	CHIP R 1 J 1/8W		
R1901			RK73FB2A471J	CHIP R 470 J 1/10W		
R1902			RK73FB2A182J	CHIP R 1.8K J 1/10W		
R1903, 04			RK73FB2A821J	CHIP R 820 J 1/10W		
SW1952			S68-0090-08	SWITCH		
SW1953			S68-0092-08	SWITCH		
SW1954, 55			S64-0035-08	SWITCH		
SW1956			S64-0029-08	SWITCH		
D1300, 01			SB0209CP	DIODE		
D1401			SB00703Q	DIODE		
IC1101			IR3R55	IC		
IC1201			LR376484	IC		
IC1202			IX2474AF	IC		
IC1300			74ACT02F	IC		
IC1401			IX0253AW	IC		
IC1402			S29294A	IC		
IC1601			BA5984FP	IC		
IC1701			UDA1344	IC		
IC1702			NJM431U	IC(REGULATOR)		
IC1801			XC62EP32	IC		

L : Scandinavia K : USA P : Canada R : Mexico C : China I : Malaysia  
 Y : PX(Far East, Hawaii) T : Europe E : Europe G : Germany V : China(Shanghai)  
 Y : AAFES(Europe) X : Australia Q : Russia H : Korea M : Other Areas Δ indicates safety critical components.

PARTS LIST

RXD-M51/M51MD

\* New Parts

Parts without **Parts No.** are not supplied.Les articles non mentionnés dans le **Parts No.** ne sont pas fournis.Teile ohne **Parts No.** werden nicht geliefert.

19

Ref. No	Add-ress	New Parts	Parts No.	Description	Desti-nation	Re-marks
Q1300			2SK2909	FET		
Q1301			2SK1473	FET		
Q1302			2SK2909	FET		
Q1303			2SK1473	FET		
Q1400, 01			RNC1404	TRANSISTOR		
Q1402, 03			RN2404	TRANSISTOR		
Q1500			RNC1407	TRANSISTOR		
Q1700			2SC2412KR	TRANSISTOR		
Q1701			RNC1404	TRANSISTOR		
Q1702			2SA1162G	TRANSISTOR		
Q1800			RNC1407	TRANSISTOR		
Q1801			2SA1162G	TRANSISTOR		
Q1802			RNC1407	TRANSISTOR		
Q1803			RN1406	TRANSISTOR		
Q1804, 05			2SA1314C	TRANSISTOR		
Q1806			RN1406	TRANSISTOR		
<b>CD MECHANISM (D40-1612-05)</b>						
19	2A		D10-3659-04	ROD (GUIDE)		
20	1B		D13-1765-03	GEAR (DRIVING)		
21	2B		D13-1763-04	GEAR (MIDDLE)		
27	3A		E40-3264-05	PIN ASSY		
51	2A		J90-0844-03	GUIDE (RAIL)		
56	3A		S74-0065-05	LEAF SWITCH		
DM	2B	*	A11-1154-08	SUB CHASSIS ASSY		
FM	3B		T42-0872-08	FEED MOTOR ASSY		
PU	1A		T25-0050-05	PICKUP KCP1H		
<b>MD MECHANISM (D40-1602-05)</b>						
201	2D		J90-0857-08	GUIDE		
202	3C		J90-0858-08	GUIDE		
203	2D		A13-3122-08	FRAME		
204	3D		A10-3416-08	CHASSIS ASSY		
205	1C		J19-5899-08	HOLDER		
206	2C		D10-3789-08	SLIDER ASSY		
207	3D		D10-3790-08	ARM		
208	1C		D10-3791-08	ARM		
209	2C	*	D10-3853-08	ARM ASSY		
210	1C		D10-3793-08	SLIDER		
211	1C		D10-3794-08	ARM		
212	1C		D10-3795-08	SLIDER		
213	1C		G01-4046-08	SPRING		
214	3C		G01-4047-08	SPRING		
215	2C		G01-3972-08	SPRING		
216	1C		G01-3974-08	SPRING		
217	2C	*	G01-4110-08	SPRING		
218	1C		G01-3976-08	SPRING		
219	2C		G02-1651-08	FLAT SPRING		
220	2D		G02-1652-08	FLAT SPRING		
221	2C		G01-3973-08	SPRING		
222	2C		D13-1859-08	GEAR		
223	2C		D13-1860-08	GEAR		
224	3C		D13-1861-08	GEAR		
225	2C		D13-1862-08	GEAR		

L : Scandinavia K : USA P : Canada R : Mexico C : China I : Malaysia

Y : PX(Far East, Hawaii) T : Europe E : Europe G : Germany V : China(Shanghai)

Y : AAFES(Europe) X : Australia Q : Russia H : Korea M : Other Areas  $\Delta$  indicates safety critical components.

\* New Parts

Parts without **Parts No.** are not supplied.Les articles non mentionnés dans le **Parts No.** ne sont pas fournis.Teile ohne **Parts No.** werden nicht geliefert.

20

Ref. No	Add-ress	New Parts	Parts No.	Description	Desti-nation	Re-marks
226	2C		D13-1863-08	GEAR		
229	1C		D13-1864-08	GEAR		
230	1C		D14-0394-08	ROLLER		
231	2C		D19-0312-08	LEAD SCREW		
232	2C		D21-1895-08	SHAFT		
233	2C		D10-3699-08	ROD		
234	3C		D10-3702-08	ROD		
235	1D		A01-3552-08	METALLIC CABINET		
236	3D		A01-3553-08	METALLIC CABINET		
237	1D	*	J02-1439-08	INSULATOR		
238	2D	*	J02-1440-08	INSULATOR		
239	1D		G11-2380-08	CUSHION		
242	2D	*	E35-2309-08	FLAT CABLE		
245	1C		F19-1083-08	SHEET		
246	2D		F19-1084-08	SHEET		
BB			N09-3426-08	SCREW	M1.7X7.5	
BD			N09-3115-08	SCREW	M1.4X2.2	
BF			N09-3347-08	SCREW	M1.7X2.5	
BG			N09-3352-08	SCREW	M1.7X8.9	
BK			N09-3350-08	SCREW	M2.0X4.0	
BL			N09-3351-08	SCREW	M1.7X3.0	
DMMD	3C		T42-0904-08	MOTOR ASSY	M901	
FMMD	3C		T42-0905-08	MOTOR ASSY	M902	
LMMD	3C		T42-0906-08	MOTOR ASSY	M903	
PUMD	2C	*	T25-0080-08	PICKUP		
RHMD	1C		T30-0017-08	RECORD HEAD		
<b>CASSETTE MECHANISM (D40-1601-05)</b>						
301	1F		A10-3157-08	CHASSIS BASE		
305	1F		D01-0119-08	FLYWHEEL ASSY LEFT		
306	1G		D01-0205-08	FLYWHEEL ASSY RIGHT		
331	2F		D19-0310-08	CLUTCH ASSY		
369	2E		N87-2004-46	HEAD PCB SCREW		
370	2E		N87-2006-46	SCREW		
374	1G		N19-0904-08	WASHER		
375	1F, 1G		N19-0905-08	WASHER		
378	2F		N19-1214-08	WASHER		
380	2F		N29-0205-04	E RING		
389	2G		T94-0225-08	SOLENOID SHAFT		
391	1G	*	W02-2688-08	ELECTRIC UNIT B		
BM	1G		D16-0371-08	MAIN BELT		
BR	2G		D16-0372-08	REEL BELT		
MM	1F	*	T42-0933-08	MAIN MOTOR ASSY		
PF	2F	*	D14-0399-08	PINCH ROLLER ASSY (FWD)		
PR	1E	*	D14-0400-08	PINCH ROLLER ASSY (RVS)		
RPEH	2E	*	T39-0038-08	REC/PLAYBACK/ERASE HEAD		

L : Scandinavia K : USA P : Canada R : Mexico C : China I : Malaysia

Y : PX(Far East, Hawaii) T : Europe E : Europe G : Germany V : China(Shanghai)

Y : AAFES(Europe) X : Australia Q : Russia H : Korea M : Other Areas  $\Delta$  indicates safety critical components.**HOW TO READ THE PARTS LIST****ABBREVIATION OF MODEL AND MASS PRODUCTION'S DESTINATIONS**

MODEL	ABB.	Australia	Canada	China	England	Europe	Germany	Korea	Malaysia
RXD-M51MD		-	-	-	T1	E1	-	-	-
RXD-M51		-	-	-	T2	E2	-	-	-
MODEL	ABB.	Mexico	PX/AAFES	Russia	Scandinavia	Shanghai	USA	Other area	
RXD-M51MD		-	-	-	-	-	-	-	-
RXD-M51		-	-	-	-	-	-	M1	-

# RXD-M51/M51MD

## SPECIFICATIONS

### **RXD-M51**

#### **[Amplifier section]**

Effective output power during STEREO operation  
1 kHz, 10 % T.H.D., at 6  $\Omega$  ..... 25 W + 25 W  
Rated output power during STEREO operation  
Other countries  
1 kHz, 0.7 % T.H.D., at 6  $\Omega$  ..... 20 W + 20 W  
Frequency response  
AUX ..... 20 Hz~20 kHz (0 dB ~ -3dB)

#### **[Tuner section]**

FM tuner section  
Tuning frequency range ..... 87.5 MHz ~ 108 MHz

MW (AM) tuner section  
Tuning frequency range ..... 531 kHz ~ 1,602 kHz

#### **[CD player section]**

Laser ..... Semiconductor laser  
D/A Conversion ..... 1 Bit  
Frequency response ..... 20 Hz~20 kHz  
Wow and flutter ..... Less than unmeasurable limit

#### **[Cassette deck section]**

Track ..... 4-track, 2-channel stereo  
Recording system ..... AC bias system  
(Frequency: 105 kHz)

Heads  
Playback / recording head ..... 1  
Erasing head ..... 1  
Motors ..... 1  
Wow and flutter ..... 0.2 % (W.R.M.S.)  
Fast winding time ..... Approx. 100 seconds  
(C-60 tape)

#### **[General]**

Power consumption ..... 100 W  
Dimensions ..... W : 200 mm  
H : 245 mm  
D : 300 mm  
Weight (net) ..... 4.9 kg

### **RXD-M51MD**

#### **[Amplifier section]**

Effective output power during STEREO operation  
1 kHz, 10 % T.H.D., at 6  $\Omega$  ..... 25 W + 25 W  
Rated output power during STEREO operation  
1 kHz, 0.7 % T.H.D., at 6  $\Omega$  ..... 20 W + 20 W  
Frequency response  
AUX ..... 20 Hz~20 kHz (0 dB ~ -3dB)

#### **[Tuner section]**

FM tuner section  
Tuning frequency range ..... 87.5 MHz ~ 108 MHz

MW (AM) tuner section  
Tuning frequency range ..... 531 kHz ~ 1,602 kHz

#### **[MD recorder section]**

Laser ..... Semiconductor laser  
Recording method ..... Field modulation overwrite method  
D/A Conversion ..... 1 Bit  
Wow & flutter ..... Less than unmeasurable limit

#### **[CD player section]**

Laser ..... Semiconductor laser  
D/A Conversion ..... 1 Bit  
Frequency response ..... 20 Hz~20 kHz  
Wow and flutter ..... Less than unmeasurable limit

#### **[Cassette deck section]**

Track ..... 4-track, 2-channel stereo  
Recording system ..... AC bias system  
(Frequency: 105 kHz)

Heads  
Playback / recording head ..... 1  
Erasing head ..... 1  
Motors ..... 1  
Wow and flutter ..... 0.2 % (W.R.M.S.)  
Fast winding time ..... Approx. 100 seconds  
(C-60 tape)

#### **[General]**

Power consumption ..... 100 W  
Dimensions ..... W : 200 mm  
H : 245 mm  
D : 300 mm  
Weight (net) ..... 5.9 kg



KENWOOD follows a policy of continuous advancements in development. For this reason specifications may be changed without notice.

- Sufficient performance may not be exhibited at extremely cold locations (where water freezes).

# RXD-M51/M51MD

**Note:**

Component and circuit are subject to modification to insure best operation under differing local conditions. This manual is based on Europe (E) standard, and provides information on regional circuit modification through use of alternate schematic diagrams, and information on regional component variations through use of parts list.

## **KENWOOD CORPORATION**

14-6, Dogenzaka 1-chome, Shibuya-ku, Tokyo, 150-8501 Japan

### **KENWOOD SERVICE CORPORATION**

P.O. BOX 22745, 2201 East Dominguez St., Long Beach, CA 90801-5745, U.S.A.

### **KENWOOD ELECTRONICS CANADA INC.**

6070 Kestrel Road, Mississauga, Ontario, Canada L5T 1S8

### **KENWOOD ELECTRONICS LATIN AMERICA S.A.**

P.O. BOX 55-2791, Piso 6 plaza Chase, Cl. 47 y Aquilino de la Guardia Panama, Republic de Panama

### **KENWOOD ELECTRONICS BRASIL LTDA.**

Av Indianópolis, 628, 04062-001 Planalto Paullista São Paulo-SP-Brasil

### **KENWOOD ELECTRONICS U.K. LIMITED**

KENWOOD House, Dwight Road, Watford, Herts., WD1 8EB., United Kingdom

### **KENWOOD ELECTRONICS BELGUM N.V.**

Meachelsesteenweg 418, B-1930 Zaventem, Belgium

### **KENWOOD ELECTRONICS DEUTSCHLAND GMBH**

Rembrücker Str. 15, 63150 Heusenstamm, Germany

### **KENWOOD ELECTRONICS FRANCE S.A.**

13 Boulevard Ney, 75018 Paris, France

### **KENWOOD ELECTRONICS ITALIA S.p.A.**

Via G. Sirtori, 7/9 20129, Milano, Italy

### **KENWOOD IBÉRICA S.A.**

Bolivia, 239-08020 Barcelona, Spain

### **KENWOOD ELECTRONICS AUSTRALIA PTY. LTD.**

(A.C.N. 001499 074)

P.O. Box 504, 8 Figtree Drive, Australia Centre, Homebush, N.S.W. 2140, Australia

### **KENWOOD & LEE ELECTRONICS, LTD.**

Unit 3712-3724, Level 37, Tower 1, Metroplaza, 223 Hing Fong Road, Kwai Fong N.T., Hong Kong

### **KENWOOD ELECTRONICS GULF FZE**

P.O.Box 61318, Jebel Ali, Dubai, U.A.E.

### **KENWOOD ELECTRONICS SINGAPORE PTE LTD.**

No. 1 Genting Lane #02-02, KENWOOD Building, Singapore, 349544

### **KENWOOD ELECTRONICS (MALAYSIA) SDN BHD.**

#4.01 Level 4, Wisma Academy Lot 4A, Jalan 19/1 46300 Petaling Jaya Selangor Darul Ehsan Malaysia

### **KENWOOD ELECTRONICS (THAILAND) CO., LTD.**

573/111 Soi Ramkhamhaeng 39, Ramkhamhaeng Road, Wangthonglang, Bangkok, Bangkok 10301 Thailand